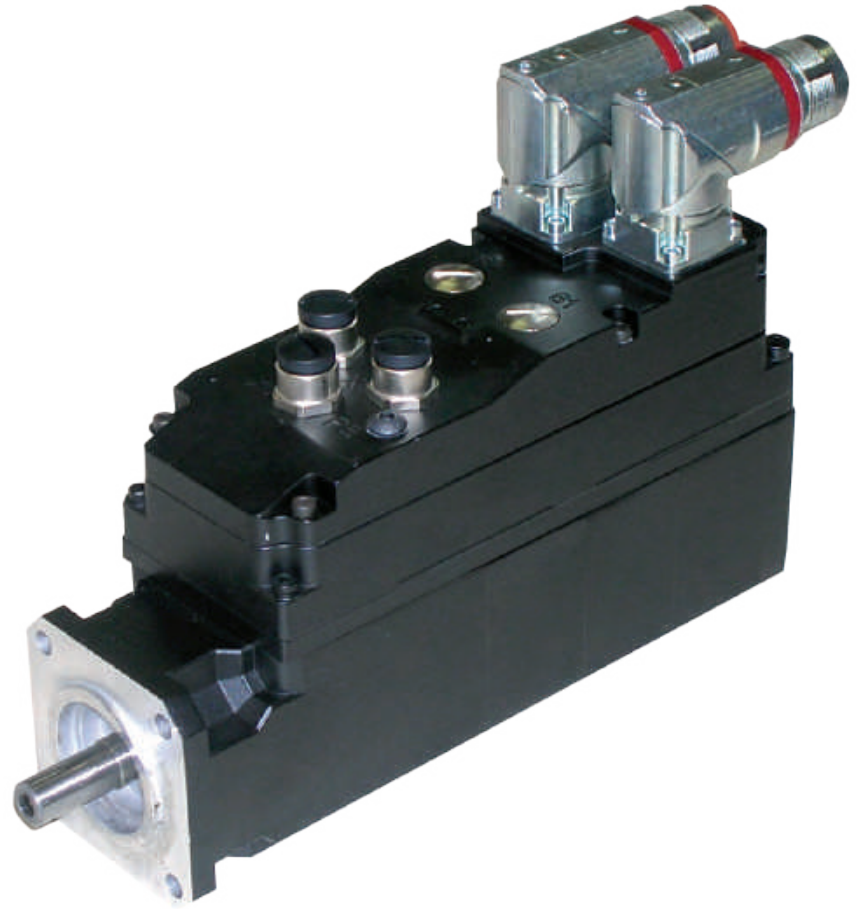
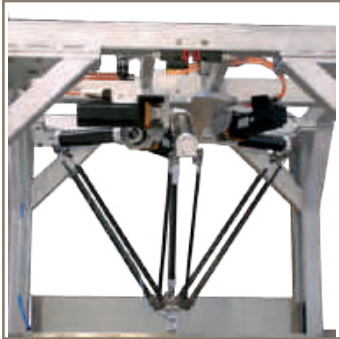


aerospace
climate control
electromechanical
filtration
fluid & gas handling
hydraulics
pneumatics
process control
sealing & shielding



Motornet DC

Brushless Servomotor with Integrated
Servo Drive 0.9 - 7.5 Nm



ENGINEERING YOUR SUCCESS.



WARNING – USER RESPONSIBILITY

FAILURE OR IMPROPER SELECTION OR IMPROPER USE OF THE PRODUCTS DESCRIBED HEREIN OR RELATED ITEMS CAN CAUSE DEATH, PERSONAL INJURY AND PROPERTY DAMAGE.

- This document and other information from Parker-Hannifin Corporation, its subsidiaries and authorized distributors provide product or system options for further investigation by users having technical expertise.
- The user, through its own analysis and testing, is solely responsible for making the final selection of the system and components and assuring that all performance, endurance, maintenance, safety and warning requirements of the application are met. The user must analyze all aspects of the application, follow applicable industry standards, and follow the information concerning the product in the current product catalog and in any other materials provided from Parker or its subsidiaries or authorized distributors.
- To the extent that Parker or its subsidiaries or authorized distributors provide component or system options based upon data or specifications provided by the user, the user is responsible for determining that such data and specifications are suitable and sufficient for all applications and reasonably foreseeable uses of the components or systems.

Overview	5
Technical Characteristics.....	8
General Characteristics.....	8
Motornet DC - Torque vs Speed Characteristic Curves.....	8
Electrical Characteristics	10
Environmental Characteristics.....	11
Standards & Conformance	11
Dimensions	12
Connector Layout.....	13
Typical Connection Diagram	13
Accessories.....	14
Hybrid Integrated Motion Solutions	15
TPDM: Triple Power Drive.....	16
SMB/H-MB/H: Brushless servo motors	16
Interact Xpress: HMI	16
PIO: I/O System	16
PS/RS Series: Planetary Gearheads	16
Order Code.....	17
MDC - Motornet DC.....	17
Motornet DC Hybrid Cables	18
Mains module: PSUP	18
Capacitor module.....	18
Mains filter for PSUP	18
Braking resistors	18
PSI - Power Supply Interface for Motornet DC.....	18

Parker Hannifin

The global leader in motion and control technologies

A world class player on a local stage

Global Product Design

Parker Hannifin has more than 40 years experience in the design and manufacturing of drives, controls, motors and mechanical products. With dedicated global product development teams, Parker draws on industry-leading technological leadership and experience from engineering teams in Europe, North America and Asia.

Local Application Expertise

Parker has local engineering resources committed to adapting and applying our current products and technologies to best fit our customers' needs.

Manufacturing to Meet Our Customers' Needs

Parker is committed to meeting the increasing service demands that our customers require to succeed in the global industrial market. Parker's manufacturing teams seek continuous improvement through the implementation of lean manufacturing methods throughout the process. We measure ourselves on meeting our customers' expectations of quality and delivery, not just our own. In order to meet these expectations, Parker operates and continues to invest in our manufacturing facilities in Europe, North America and Asia.

Electromechanical Worldwide Manufacturing Locations

Europe

Littlehampton, United Kingdom
Dijon, France
Offenburg, Germany
Filderstadt, Germany
Milan, Italy

Asia

Wuxi, China
Chennai, India

North America

Rohnert Park, California
Irwin, Pennsylvania
Charlotte, North Carolina
New Ulm, Minnesota



Offenburg, Germany

Local Manufacturing and Support in Europe

Parker provides sales assistance and local technical support through a network of dedicated sales teams and authorized technical distributors throughout Europe.

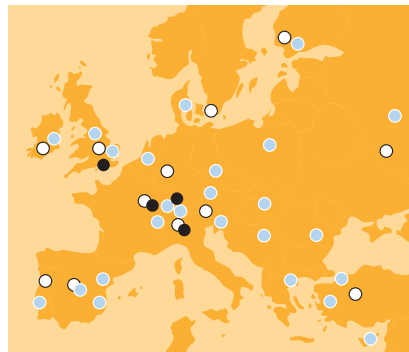
For contact information, please refer to the Sales Offices on the back cover of this document or visit www.parker.com



Milan, Italy



Littlehampton, UK



- Electromechanical Manufacturing
- Parker Sales Offices
- Distributors



Dijon, France

Brushless Servomotor with Integrated Servo Drive - Motornet DC

Overview

Description

Motornet DC is a brushless servomotor system with integrated servo drive, supplied from a DC-bus voltage. Hybrid power, control and communications cables, a Power supply and Interface module complete the system and local I/O's can be connected directly to the motor.

Ideally suited to multi-axis applications where a number of motors are mounted in close proximity on the machine, Motornet DC allows a decentralized approach to motion control to be taken.

- **Packaging Machines**
- **Rotary Tables**
- **Filling, bottling and capping machines**

Motion control functionality is executed by means of EtherCAT communication or optionally CANopen DS402 communication.

Features

- **Feedback: Resolver / EnDat (optional)**
- **Fieldbus: EtherCAT**
- **2 digital Inputs / 2 digital Outputs**
- **Protection level: IP64 standard, IP65 / IP67 (optional)**
- **STO (optional)**
- **CAN Service Bus**



Technical Characteristics - Overview

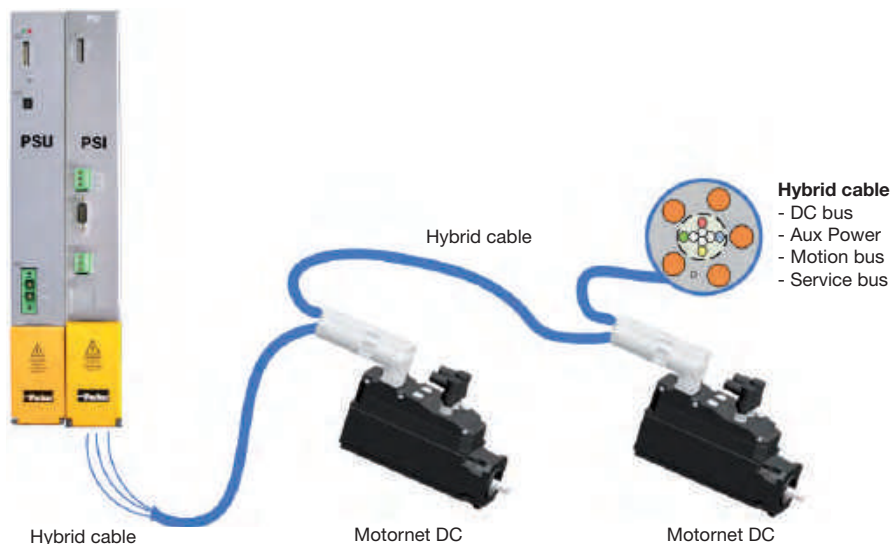
230 VAC supply

		Size		
		MDC60	MDC70	MDC100
Speed 3000 min ⁻¹	Stall torque [Nm]	1	2.5	6.5
	Peak torque [Nm]	4	11	15
Speed 6000 min ⁻¹	Stall torque [Nm]	0.9	1.9	-
	Peak torque [Nm]	4	7	-
Inertia without brake [kgmm ²]		30.2	100	504

400 VAC supply

		Size		
		MDC60	MDC70	MDC100
Speed 3000 min ⁻¹	Stall torque [Nm]	1	2.6	7.5
	Peak torque [Nm]	4	11	26.7
Speed 5200 min ⁻¹	Stall torque [Nm]	-	-	5.7
	Peak torque [Nm]	-	-	15
Speed 6000 min ⁻¹	Stall torque [Nm]	0.9	2.2	-
	Peak torque [Nm]	4	7	-
Inertia without brake [kgmm ²]		30.2	100	504

Typical System Architecture



Motornet DC System

Description

The next logical evolution in machine motion control, Motornet DC integrates servo control electronics into a brushless servomotor creating a self-contained motor and servo controller. This offers considerable benefits in terms of machine design by allowing a decentralised motion control architecture to be used. This in turn allows substantial savings in time and materials to be realised, while reducing machine footprints.

Typical applications for Motornet DC include packaging machines and rotary tables where numerous motors are mounted on the machine.



Motornet DC

Features and Benefits

Quick and simple machine configuration and reduced wiring

The hybrid cabling solution, which contains all power supply, control and communications signalling offers machine builders a number of benefits including:

- Simplified plug and socket connections at the motor
- Reduced number of connections and potential points of failure
- Reduced wiring time and cost of associated cabling

Reduced machine footprint

With a power supply and PSI Interface module being the only additional components required in the cabinet, the electronics footprint is up to 70 % smaller than traditional centralised solutions. Additionally, all wiring changes are made on the machine via plug and socket connections rather than in the electrical cabinet.

Modular machine design

Because of the modular nature of Motornet DC, machine design becomes very easy. Additional axes can be added with very little effort, simply by duplicating schematic drawings from other axes. This not only reduces engineering time and costs, but simplifies build and significantly improves time to market.

Efficient power control

Motornet DC works on a common DC bus power supply that allows the system to share much of the braking energy to other Motornet DC units rather than dissipating it in the form of heat via external resistors. In some instances, the resistor can be removed completely and in others a smaller resistor is required.



PSUP - Power Supply Unit and
PSI - Power Supply Interface for
Motornet DC

Application

Motornet DC is ideally suited to applications where a number of motors are mounted in close proximity on a machine, such as a filling machine. In this case, the reduced cabling and electronics allow a much smaller physical footprint for the machine to be developed. Motornet DC is suited to packaging lines in general as the plug and play nature of its cable architecture allows new machine modules to be easily added or removed without considerable rewiring cost being incurred.

- **Packaging lines**
- **Rotary tables**
- **Filling, bottling and capping machinery**



Functionality

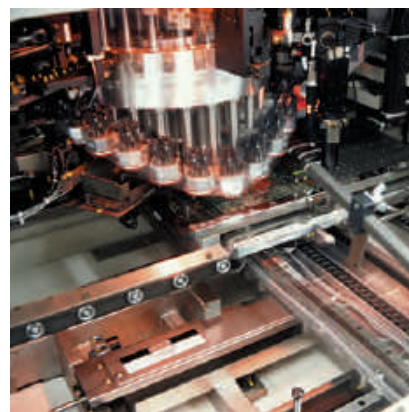
Motornet DC offers full motion control and is designed to complement the existing Parker servo drive and motor product range. Being flexible in its configuration, Motornet DC can be used to provide repeatable and accurate motion control for a wide range of applications and can be integrated into a larger hybrid motion solution.



Standard Version

Available in flange sizes of 60 mm, 70 mm and 100 mm with continuous torque ratings of 0.9 to 7.5 Nm and motor speeds up to 6000 min⁻¹. Motornet DC can be configured to suit the needs of any number of applications with a range of options. As standard Motornet DC is supplied with:

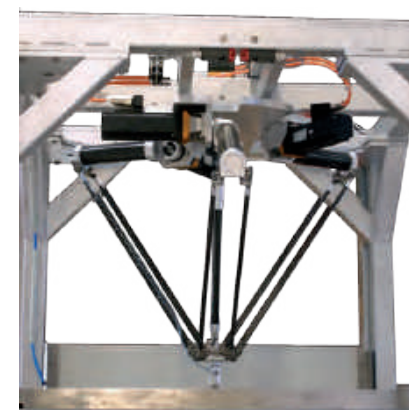
- **EtherCAT**
- **Localised I/O - 2 digital inputs and 2 digital outputs**
- **Resolver feedback**
- **CAN Service Bus**



Options

The capabilities of Motornet DC can be further enhanced with numerous options which are available upon request, including:

- **IP65 protection for harsh environments**
- **Safe Torque Off (STO) functionality**
- **CANopen DS402 communication in place of EtherCAT**
- **Encoder feedback**
- **Holding brake**



Technical Characteristics

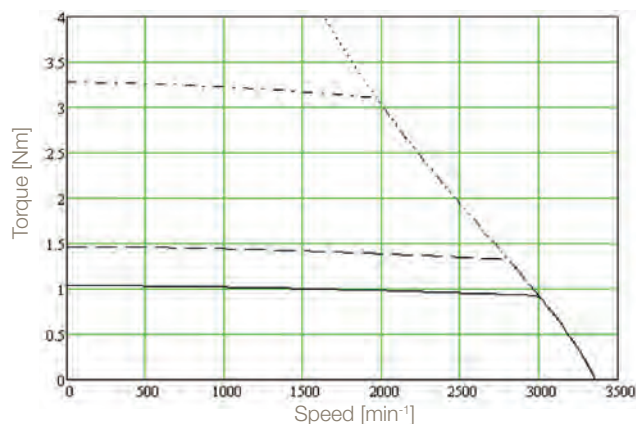
General Characteristics

Type	AC Voltage Power Supply [VAC]	Speed [min ⁻¹]	Rated torque [Nm]	Rated power [W]	Cont. stall torque [Nm]	Peak torque [Nm]	Peak power [W]	Inertia (without brake) [kgmm ²]
MDC60	230	3000	0.90	314	1.0	4.0	1257	30.2
		6000	0.55	384	0.9	4.0	2513	
	400	3000	0.90	314	1.0	4.0	1257	
		6000	0.55	384	0.9	4.0	2513	
MDC70	230	3000	2.00	698	2.5	11.0	3456	100
		6000	0.50	620	1.9	7.0	4398	
	400	3000	2.00	698	2.6	11.0	3456	
		6000	0.50	698	2.2	11.0	6911	
MDC100	230	3000	4.40	1535	6.5	15.0	4712	504
	400	3000	4.40	1535	7.5	26.7	8388	
		5200	1.00	1536	5.7	15.0	8168	

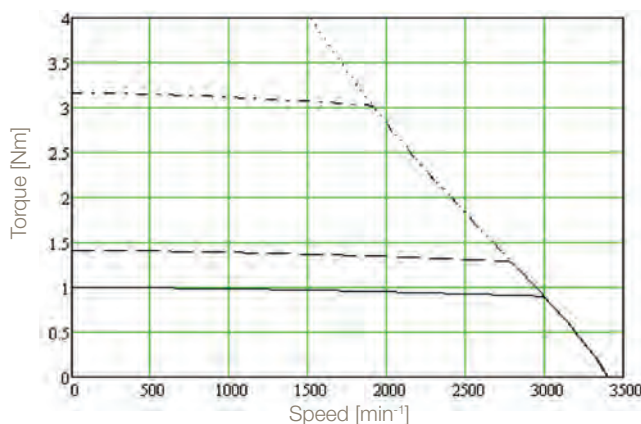
Data refer to MDC mounted in horizontal position to allow for free convection , at 40 °C ambient temperature.

Motornet DC - Torque vs Speed Characteristic Curves

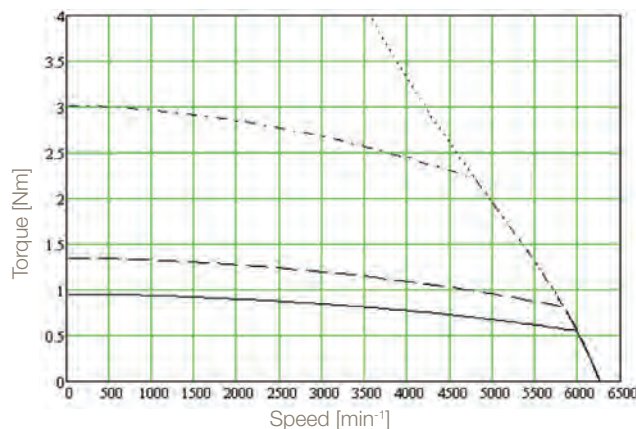
MDC60 - 3000 min⁻¹ 230 VAC



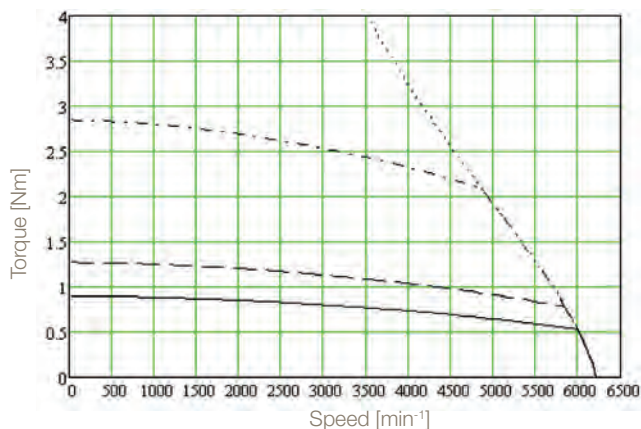
MDC60 - 3000 min⁻¹ 400 VAC



MDC60 - 6000 min⁻¹ 230 VAC



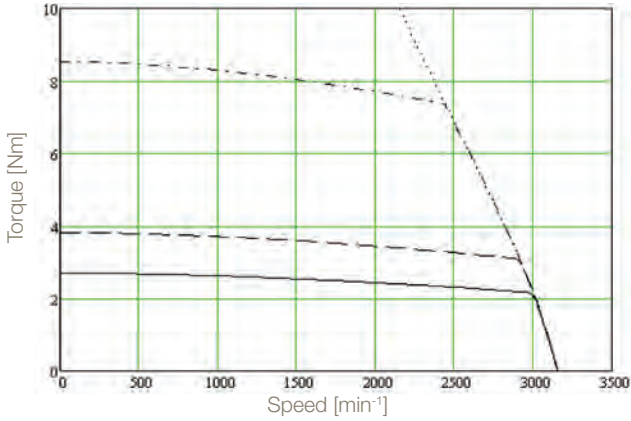
MDC60 - 6000 min⁻¹ 400 VAC



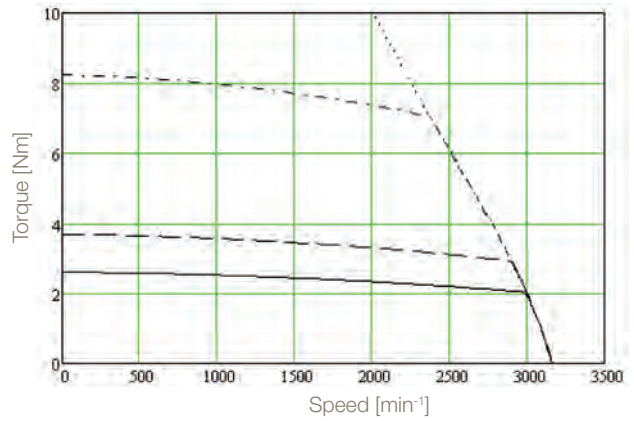
Key

- Voltage Limit
- S1 60 K ΔT
- - S3 50 %
- · S3 10 %

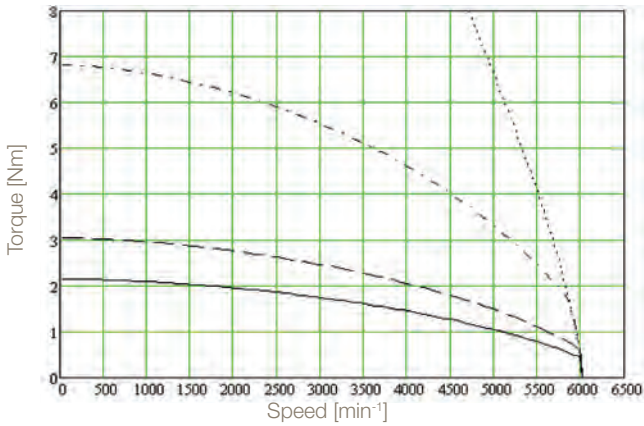
MDC70 - 3000 min⁻¹ 230 VAC



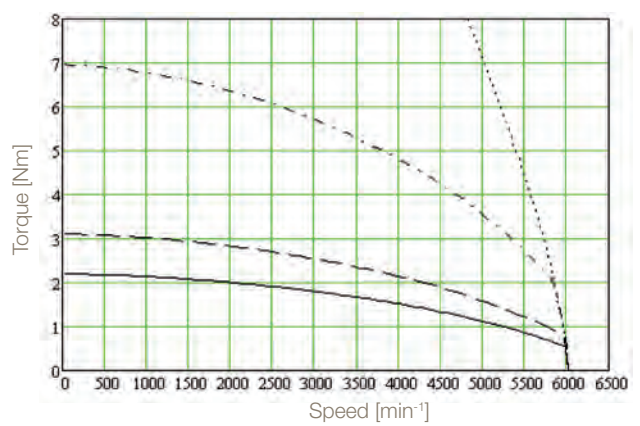
MDC70 - 3000 min⁻¹ 400 VAC



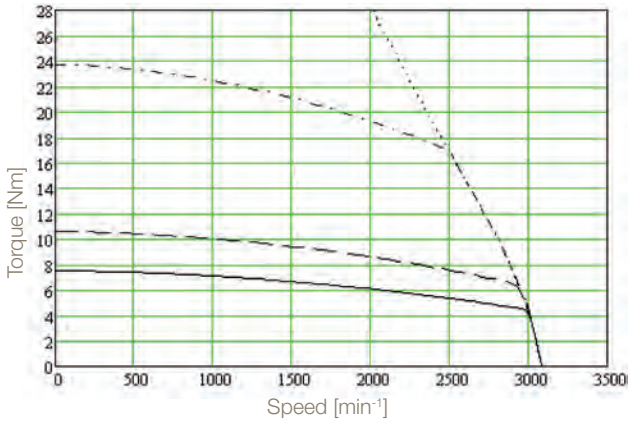
MDC70 - 6000 min⁻¹ 230 VAC



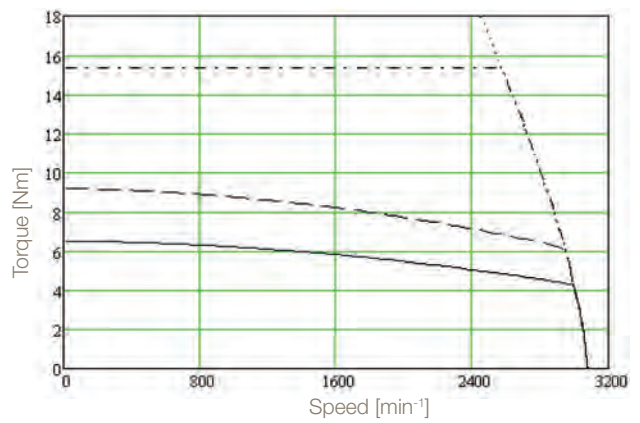
MDC70 - 6000 min⁻¹ 400 VAC



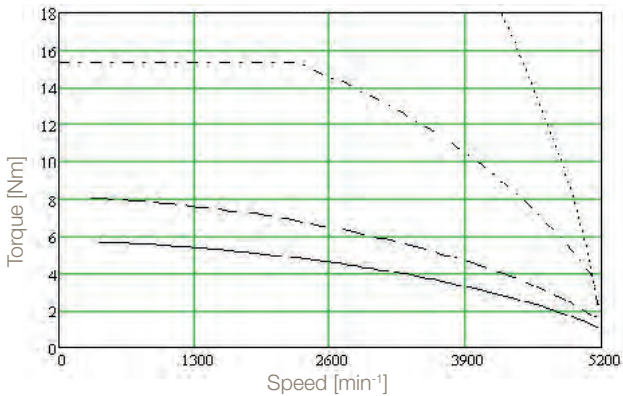
MDC100 - 3000 min⁻¹ 400 VAC



MDC100 - 3000 min⁻¹ 230 VAC



MDC100 - 5200 min⁻¹ 400 VAC



- Key**
- Voltage Limit
 - S1 60 K ΔT
 - - S3 50 %
 - · S3 10 %

Electrical Characteristics

MDC - Motornet DC

Motornet DC Model		MDC60	MDC70	MDC100
	Unit			
Auxiliary Voltage Supply				
Rated Input Voltage	[V]	24...48 VDC (0...+10 %)		
Maximum Input Current ¹⁾	[A]	20		
Control Stage Input Power	[W]	12		
Power Stage Voltage				
Maximum DC Voltage Supply	[V]	750 VDC		

¹⁾ This is the maximum rated input current that may be supplied to the overall MDC branch. To calculate the maximum number of MDC units that can be connected in a single branch without exceeding this value, the user must also consider the input braking current.

PSUP - Power Supply Unit

Mains Supply

Power Supply Type	Unit	PSUP10			PSUP20			PSUP30 ⁽²⁾		
Input Voltage		3*230...480 VAC ±10 % 50...60 Hz (Rated voltage 3*400 VAC)								
Output Voltage		325...680 VDC ±10 %								
Supplied Voltage	[VAC]	230	400	480	230	400	480	230	400	480
Output Power	[kVA]	6	10	10	12	20	20	18	30	30
Output Peak Power (<5 s)	[kVA]	12	20	20	24	40	40	34	60	60

Control Supply

Rated Input Voltage		24 VDC ±10 %								
Maximum Ripple		1 V _{pkpk}								
Supply Current	[A]	PSUP10D6: 0,2 A			PSUP20D6: 0,3 A			PSUP30D6: 0,3 A		

⁽²⁾ Operation of the PSUP30 only with line choke.

PSI - Power Supply Fieldbus Interface for Motornet DC

Power Supply Interface	Unit	PSI5	PSI10	PSI20
Supply Voltage				
DC Voltage Range	[V]	300...750 VDC		
Regenerative braking				
Capacity	[µF]	470	940	940
Storable energy	[WS]	75@400 VAC 42@480 VAC	150@400 VAC 84@480 VAC	150@400 VAC 84@480 VAC

Environmental Characteristics

Motornet DC, PSUP - Power Supply Unit and PSI - Power Supply Interface

Temperature			
<ul style="list-style-type: none"> Operating Temperature: 0...+40 °C Storage Temperature: -25...+55 °C Shipping Temperature: -25...+70 °C 			
Product Enclosure Rating			
	Motornet DC	PSUP	PSI
	IP64, IP65 / IP67 as option	IP20 (only in closed electrical cabinet) UL open type equipment	
Altitude			
1000 m ASL. Derate output current by 1.5 % per 100 m to a maximum of 2000 m			
Humidity			
<ul style="list-style-type: none"> Operating Humidity: Class 3K3 - Maximum 85 % non-condensing Storage Humidity: Class 1K3 - Maximum 95 % non-condensing Shipping Humidity: Class 2K3 - Maximum 95 % at 40 °C 			
Operating Vibration			
	Motornet DC	PSUP	PSI
	3M1 Class 2...9 Hz width 0.3 mm 9...200 Hz accel. 1 m/s ²	IEC60068-2-6 10...57 Hz width 0.075 mm 57...150 Hz accel. 9.81 m/s ²	

Standards & Conformance

Motornet DC

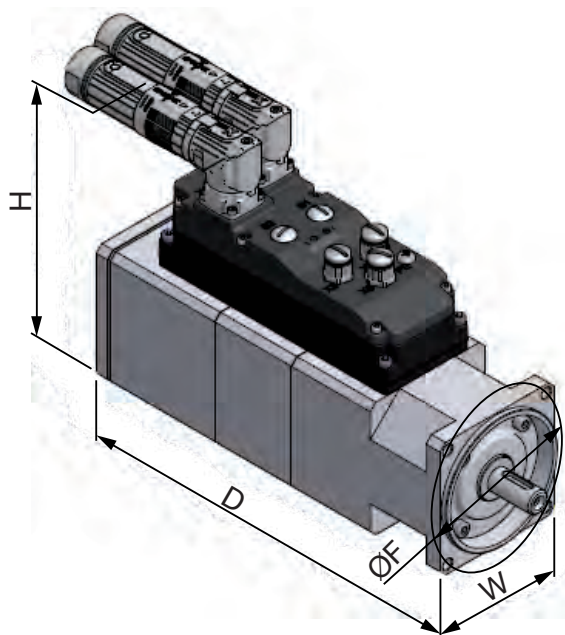
2006/95/EC	Low Voltage Directive
2004/108/CE	EMC Directive
EN 61800-3	Adjustable speed electrical power drive systems - Part 3: EMC product standard including specific test method
EN 61800-5-1	Adjustable speed electrical power drive systems - Part 5-1: Safety requirements - Electrical, thermal and energy
EN 60034-1	Rotating electrical machines - Part 1: Rating and performances
EN 60034-5	Rotating electrical machines. Part 5: Degrees of protection provided by the integral design of rotating electrical machines (IP code) - Classification

PSUP - Power Supply Unit and PSI - Power Supply Interface for Motornet DC

2006/95/EC	Low voltage directive
2004/108/CE	EMC Directive
EN 61800-3	Adjustable speed electrical power drive systems - Part 3: EMC product standard including specific test method
EN 61800-5-1	Adjustable speed electrical power drive systems - Part 5-1: Safety requirements - Electrical, thermal and energy

Dimensions

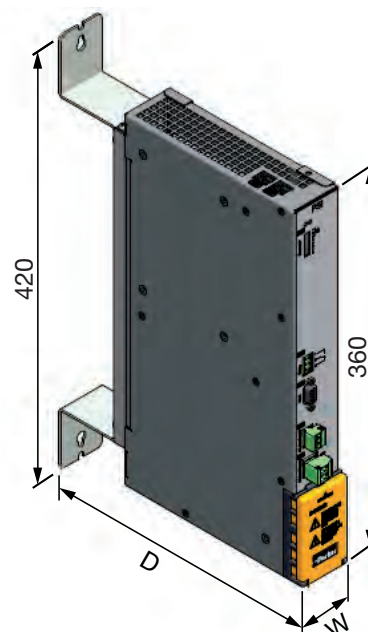
Motornet DC



Type	Flange	H [mm]	W [mm]	D [mm]	ød x length [mm]	øPilot [mm]	F [mm]	Weight [kg]
MDC60	5	154	70	192	9x20 / 11x 23	60	75	2.7
	8		60			40	63	
MDC70	5	164	70	287	11x23 / 14x30 / 19x40	60	75	5.2
MDC100	5	194	100	262	19x40 / 24x50	95	115	8.6
	8					80	100	

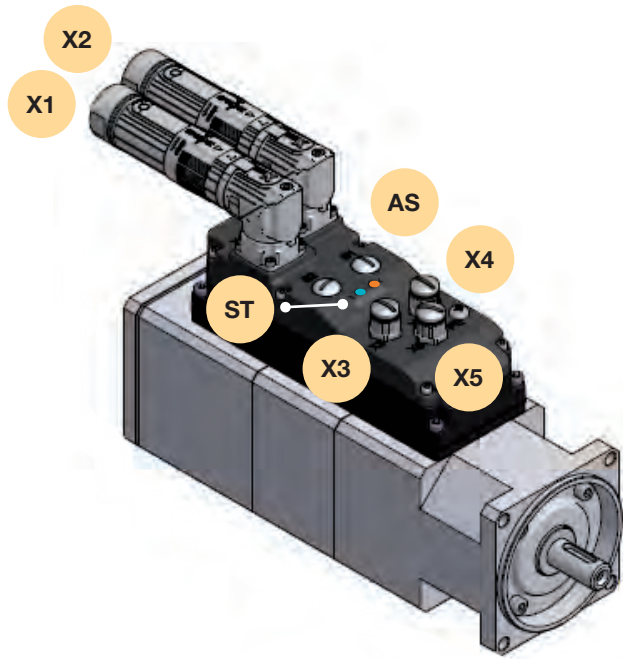
PSU - Power Supply Unit and PSI - Power Supply Interface for Motornet DC

Type	W [mm]	D [mm]	Weight [kg]
PSUP10, PSI5/PSI10/PSI20	50	270	3.6
PSUP20/PSUP30	100	270	5.4



Connector Layout

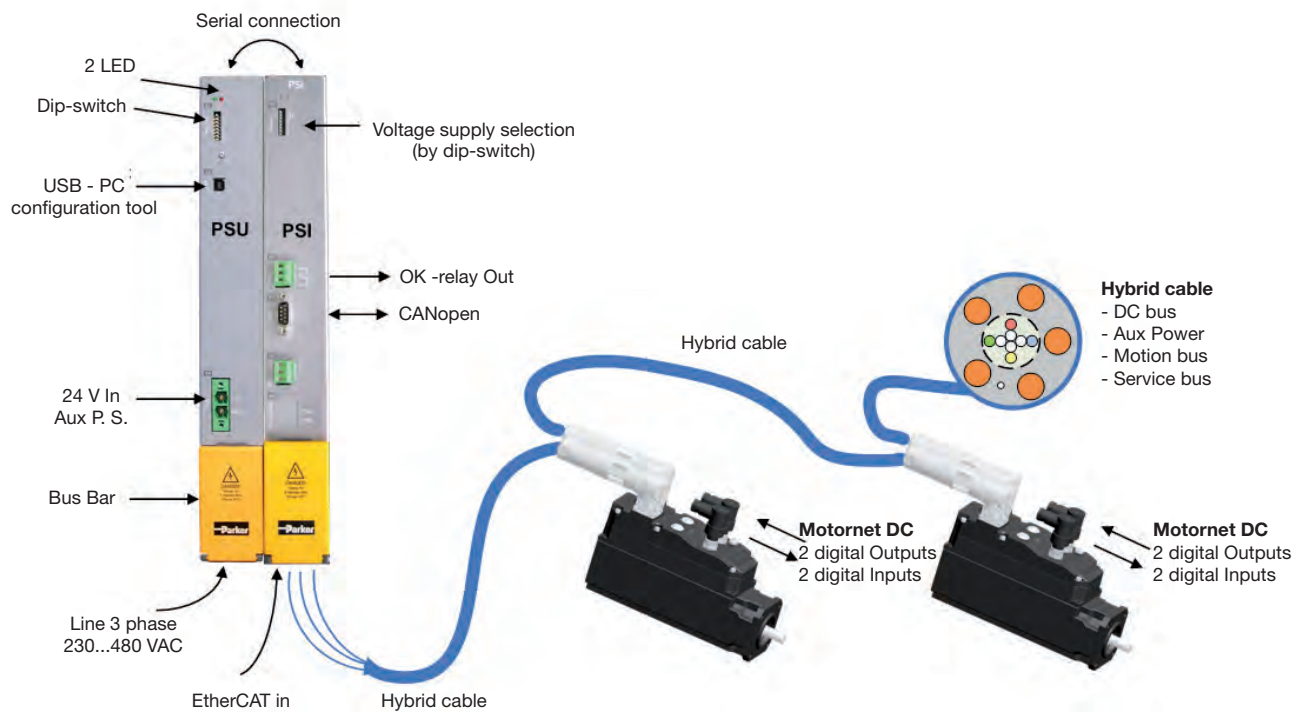
Motornet DC



Key	Description
X1	IN: DC Bus, 24 VDC Supply, Motion Bus, Service Bus
X2	OUT: DC Bus, 24 VDC Supply, Motion Bus, Service Bus
X3	Digital Inputs
X4	Digital Outputs
X5	I/O STO, RS232
AS	Address setting selector switches
ST	Status LEDs: Green - Power On, Red - Status

Typical Connection Diagram

Motornet DC



Accessories

Configuration Software - MotionWiz

MotionWiz is free of charge downloadable configuration software that allows users to configure and optimise the Motornet DC series with a few easy clicks of the mouse.

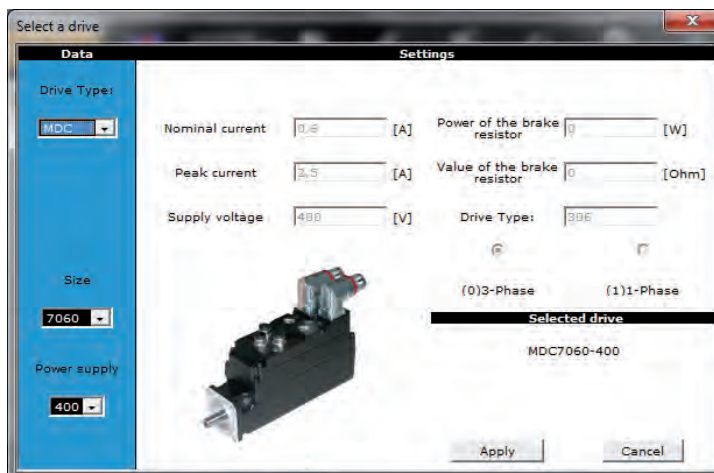
MotionWiz features an intuitive, easy and simple to use Windows® style environment to aid installation, optimisation and diagnostic use.

MotionWiz permits operation in both "on line" mode, directly in the controller, and in "offline" mode, remotely on the PC before downloading to the controller.

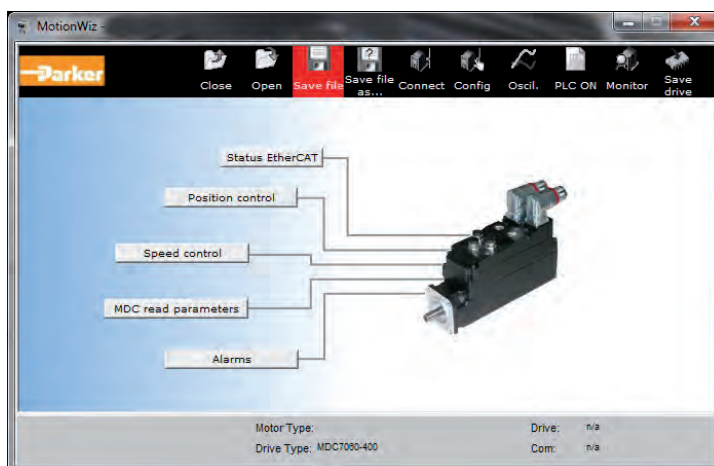
To simplify the configuration of systems with a large number of similar axes but with different motion profiles, MotionWiz allows users to copy the configuration from one application to another.

Inside the MotionWiz configurator is a database containing the technical characteristics of the full range of Parker motors and drives.

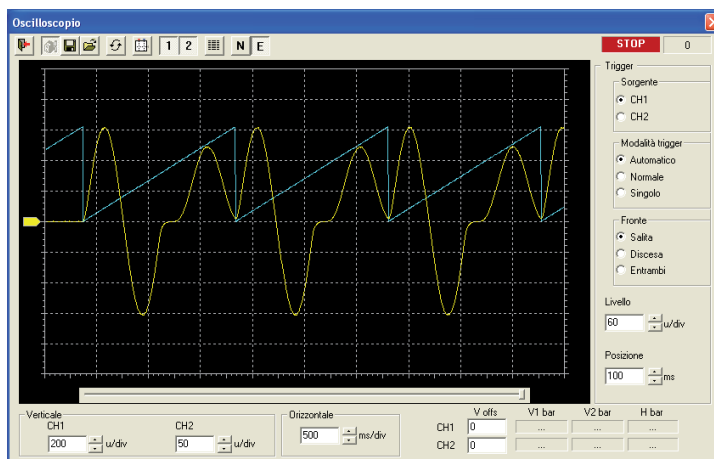
MotionWiz can be downloaded at www.parker.com/eme/motornet



MotionWiz: Motor's size selection

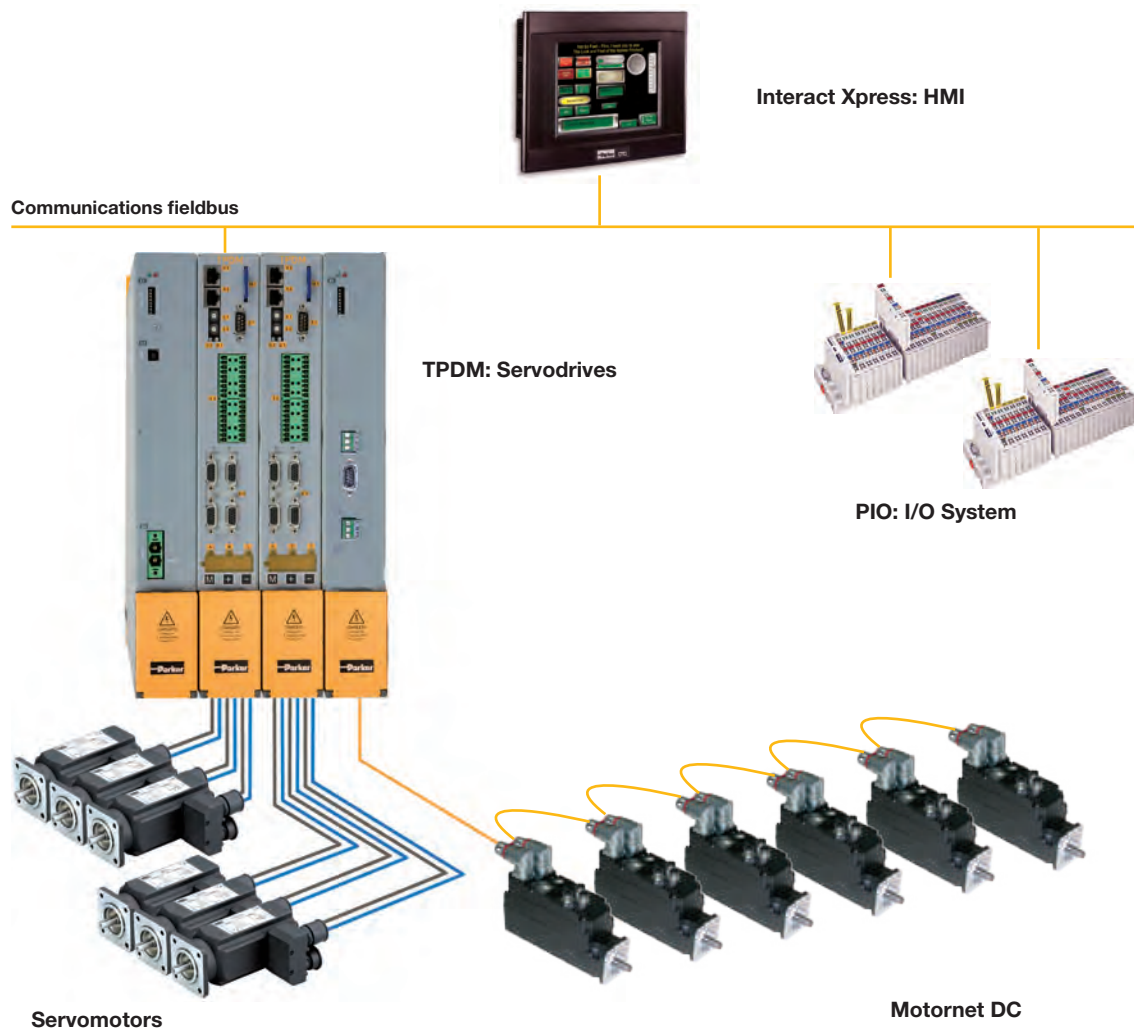


MotionWiz: MDC page - Main electronic control parameters and fieldbus status

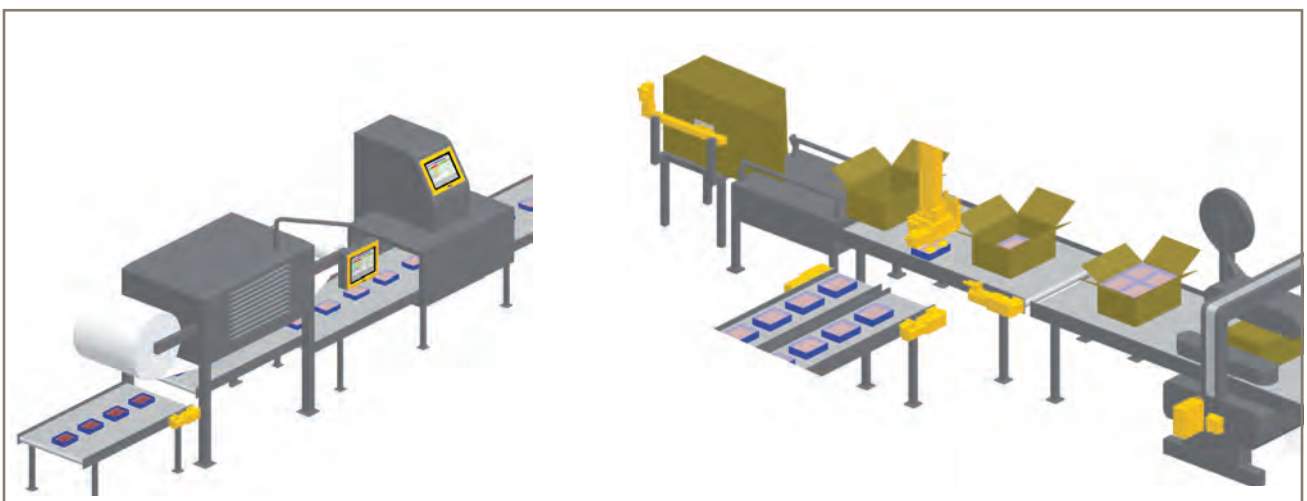


MotionWiz Oscilloscope: Real speed & torque trends

Hybrid Integrated Motion Solutions



In this example Motornet DC is shown in a system which also uses the TPD-M series servoamplifier, SMB/H series servomotors, InteractXpress series HMI and PIO series I/O to form a complete integrated hybrid motion solution. This type of architecture can be used for the complete control of packaging or process lines.



TPDM: Triple Power Drive

TPD-M is a flexible servo drive that integrates three power stages in a single housing. The flexibility of the TPD-M servo drive is based on the power stage adapting to supply the corresponding servo motor with the necessary power within the range of 2 to 30 Amperes. The base configuration consists of a common DC bus supply (PSU) and TPD-M multiple modules connected through DC bus bars. The modular concept allows a system to be configured using 50 mm wide modules comprising either 3 axes, 2 axes or a single axis. A single common DC bus supply can support up to 15 modules.



SMB/H-MB/H: Brushless servo motors



The MB/H and SMB/H Series of highly-dynamic brushless servo motors utilise "salient pole" technology to produce an extremely compact design. Motor dimensions are drastically reduced and significant gains in terms of torque and dynamic performance are achieved. The high quality Neodymium-Iron-Boron magnets and the encapsulation method used to fasten them to the shaft, allows the two Series' to achieve very high acceleration and withstand high overloads without risk of demagnetisation or detachment of the magnets. The MB/H and SMB/H Series is available in sizes from 0.2 to 285 Nm.

Interact Xpress: HMI

Interact Xpress is Parker's HMI hardware and software solution, for the process's control in distributed applications where multiple HMIs are deployed on a single machine or across several remote stations. Interact Xpress software, features an advanced development environment for easy creation of rich graphics and multimedia applications. Interact Xpress allows you to run, view and edit on line - from any PC - applications in Internet Explorer™ browser. Available with 6, 8, 10 and 15 inch, these units are specifically designed to optimize the performance, storage and connectivity features of the software.



PIO: I/O System



Parker's PIO modular bus terminal system offers a range of popular industrial fieldbus networks to interface to a wide variety of control signals from field-based devices. Connection to field level devices can be implemented quickly and reliably with PIO.

PS/RS Series: Planetary Gearheads

Stealth advanced gearheads are available in either in-line or right-angled versions with 8 frame sizes and 12 gear ratios. With input speeds up to 6000 min⁻¹ and exceptionally quiet, strong and reliable operation, you can be confident that there is a Stealth advanced gearhead to fit any of your high performance servo application needs.



Order Code

MDC - Motornet DC

	1	2	3	4	5	6	7	8	9	10	11	12	13	14	15
Order example	MDC	E	A	60	30	5	9	S	Hxx	F4	M	R	E	64	4

1 Motor family	MDC	Motornet DC - integrated resolver
2 Encoder*	Empty field	Resolver
	E	Encoder (option)
3 Brake*	Empty field	Without holding brake
	A	With holding brake (option)
4 Motor frame size (Refer to compatibility table)	60	60 mm motor frame
	70	70 mm motor frame
	100	100 mm motor frame
5 Nominal speed (Refer to compatibility table)	30	3000 min ⁻¹ (230/400 VAC - all frames)
	52	5200 min ⁻¹ (400 VAC - frame 100 only)
	60	6000 min ⁻¹ (230/400 VAC - not frame 100)
6 Flange	5	Flange 5 (available for all sizes)
	8	Flange 8 (contact your local sales office)
7 Shaft diameter	9	9 mm shaft (frame 60 only)
	11	11 mm shaft (frame 60 and 70)
	14	14 mm shaft (frame 70 only)
	19	19 mm shaft (frames 70 and 100)
	24	24 mm shaft (frame 100 only)
8 Smooth shaft - keyway	Empty field	With keyway
	S	Without keyway

9 Motor shaft*	Empty field	Standard shaft
	Hxx	Hollow shaft, xx = internal dia. (max 12 mm) Available only for MDC70 and MDC100 with resolver
10 Feedback	Empty field	Standard resolver
	F4	Encoder EQI1130 (EnDat) (with E selected in block 2)
11 Increased inertia*	Empty field	Standard inertia
	M	Increased inertia (option)
12 Safe torque off (STO)*	Empty field	Without safe torque off
	R	With safe torque off (option)
13 Fieldbus	E	EtherCAT
	D*	CANopen (option)
14 Protection level	64	IP64 protection
	65	IP65 protection (option)
	67	IP67 protection (option)
15 AC supply voltage (PSU supply voltage)	2	230 VAC
	4	400 VAC

* Option currently under development

Motornet DC Hybrid Cables

	1	2	3	4
Order example	HYBCA	0030	PSI	4

1 Cable type	HYBCA	Hybrid cable for Motornet DC
2 Length (x10 mm)	0030	300 mm
	0100	1000 mm (1 m)
	1000	10 m
Note: maximum cable length is 15 m		
3 Connector Type	PSI	Wired cable for PSI to MDC with PSI connector and female mating MDC connector
	MDC	Wired cable for MDC to MDC with male and female mating MDC connectors
4 Cable Size	Empty field	2.5 mm ² cable size
	4	4.0 mm ² cable size

Cables options

HYBCA1	MDC hybrid cable only (no connectors) - 1 m length / 2.5 mm ²
HYBCA14	MDC hybrid cable only (no connectors) - 1 m length / 4 mm ²
CONMDCMV	MDC hybrid connector (male)
CONMDCFV	MDC hybrid connector (female)
TAPMDCETH	Terminal cup for MDC EtherCAT
TAPMDCETHS	Terminal cup for MDC EtherCAT with Service Bus

Mains module: PSUP

	1	2	3	4	5	
Order example	PSU	P	10	D6	USB	M00

1 Device family	PSU	Power module
2 Device typ	P	Power module
3 Nominal power; supply voltage	10 D6	10 kW; 400 VAC (3-phase)
	20 D6	20 kW; 400 VAC (3-phase)
	30 D6	30 kW; 400 VAC (3-phase) ¹⁾
4 Interface	USB	USB connection
5 Options	M00	no additional supplement

¹⁾ Operation of the PSUP30 only with line choke.
Required line choke for the PSUP30: 0.45 mH / 55 A
We offer the following line chokes:
LCG-0055-0.45 mH (WxDxH: 180 mmx140 mmx157 mm; 10 kg)
LCG-0055-0.45 mH-UL (with UL certification)
(WxDxH: 180 mmx170 mmx157 mm; 15 kg)

Capacitor module

	1	2
Order example	PSC	023 M00

1 Accessories	PSC	Capacitor module
2 Type	023 M00	2300 µF no additional supplement
	047 M00	4700 µF no additional supplement
	068 M00	6800 µF no additional supplement

Mains filter for PSUP

	1	2
Order example	NFI	03/01

1 Accessories	NFI	Mains filter
2 Type	03/01	for PSUP10 Reference axis combination 3 x 480 V 25 A 6 x 10 m motor cable length
	03/02	for PSUP10 Reference axis combination 3 x 480 V 25 A 6 x 50 m motor cable length
	03/03	for PSUP20, PSUP30 Reference axis combination 3 x 480 V 50 A 6 x 50 m motor cable length

Braking resistors

	1	2
Order example	BRM	05/01

1 Accessories	BRM	Braking resistor
2 Type	13/01	30 Ω / 0.5 kW _{cont.} for PSUP10D6, for PSUP20D6 (2x30Ω parallel)
	14/01	15 Ω / 0.5 kW _{cont.} for PSUP10D6 (2 x 15 Ω in series) for PSUP20, PSUP30
	12/01	18 Ω / 4.5 kW _{cont.} for PSUP30

PSI - Power Supply Interface for Motornet DC

	1	2	3
Order example	PSI	10	P

1 Device type	PSI	Power supply interface for Motornet DC
2	5	5 kW rating
	10	10 kW rating
	20	20 kW rating

Parker's Motion & Control Technologies

At Parker, we're guided by a relentless drive to help our customers become more productive and achieve higher levels of profitability by engineering the best systems for their requirements. It means looking at customer applications from many angles to find new ways to create value. Whatever the motion and control technology need, Parker has the experience, breadth of product and global reach to consistently deliver. No company knows more about motion and control technology than Parker. For further info call 00800 27 27 5374.



AEROSPACE

Key Markets

- Aircraft engines
- Business & general aviation
- Commercial transports
- Land-based weapons systems
- Military aircraft
- Missiles & launch vehicles
- Regional transports
- Unmanned aerial vehicles

Key Products

- Flight control systems & components
- Fluid conveyance systems
- Fluid metering delivery & atomization devices
- Fuel systems & components
- Hydraulic systems & components
- Inert nitrogen generating systems
- Pneumatic systems & components
- Wheels & brakes



CLIMATE CONTROL

Key Markets

- Agriculture
- Air conditioning
- Food, beverage & dairy
- Life sciences & medical
- Precision cooling
- Processing
- Transportation

Key Products

- CO₂ controls
- Electronic controllers
- Filter driers
- Hand shut-off valves
- Hose & fittings
- Pressure regulating valves
- Refrigerant distributors
- Safety relief valves
- Solenoid valves
- Thermostatic expansion valves



ELECTROMECHANICAL

Key Markets

- Aerospace
- Factory automation
- Food & beverage
- Life science & medical
- Machine tools
- Packaging machinery
- Paper machinery
- Plastics machinery & converting
- Primary metals
- Semiconductor & electronics
- Textile
- Wire & cable

Key Products

- AC/DC drives & systems
- Electric actuators
- Controllers
- Gantry robots
- Gearheads
- Human machine interfaces
- Industrial PCs
- Inverters
- Linear motors, slides and stages
- Precision stages
- Stepper motors
- Servo motors, drives & controls
- Structural extrusions



FILTRATION

Key Markets

- Food & beverage
- Industrial machinery
- Life sciences
- Marine
- Mobile equipment
- Oil & gas
- Power generation
- Process
- Transportation

Key Products

- Analytical gas generators
- Compressed air & gas filters
- Condition monitoring
- Engine air, fuel & oil filtration & systems
- Hydraulic, lubrication & coolant filters
- Process, chemical, water & microfiltration filters
- Nitrogen, hydrogen & zero air generators



FLUID & GAS HANDLING

Key Markets

- Aerospace
- Agriculture
- Bulk chemical handling
- Construction machinery
- Food & beverage
- Fuel & gas delivery
- Industrial machinery
- Mobile
- Oil & gas
- Transportation
- Welding

Key Products

- Brass fittings & valves
- Diagnostic equipment
- Fluid conveyance systems
- Industrial hose
- PTFE & PFA hose, tubing & plastic fittings
- Rubber & thermoplastic hose & couplings
- Tube fittings & adapters
- Quick disconnects



HYDRAULICS

Key Markets

- Aerospace
- Aerial lift
- Agriculture
- Construction machinery
- Forestry
- Industrial machinery
- Mining
- Oil & gas
- Power generation & energy
- Truck hydraulics

Key Products

- Diagnostic equipment
- Hydraulic cylinders & accumulators
- Hydraulic motors & pumps
- Hydraulic systems
- Hydraulic valves & controls
- Power take-offs
- Rubber & thermoplastic hose & couplings
- Tube fittings & adapters
- Quick disconnects



PNEUMATICS

Key Markets

- Aerospace
- Conveyor & material handling
- Factory automation
- Food & beverage
- Life science & medical
- Machine tools
- Packaging machinery
- Transportation & automotive

Key Products

- Air preparation
- Compact cylinders
- Field bus valve systems
- Grippers
- Guided cylinders
- Manifolds
- Miniature fluidics
- Pneumatic accessories
- Pneumatic actuators & grippers
- Pneumatic valves and controls
- Rodless cylinders
- Rotary actuators
- Tie rod cylinders
- Vacuum generators, cups & sensors



PROCESS CONTROL

Key Markets

- Chemical & refining
- Food, beverage & dairy
- Medical & dental
- Microelectronics
- Oil & gas
- Power generation

Key Products

- Analytical sample conditioning products & systems
- Fluoropolymer chemical delivery fittings, valves & pumps
- High purity gas delivery fittings, valves & regulators
- Instrumentation fittings, valves & regulators
- Medium pressure fittings & valves
- Process control manifolds



SEALING & SHIELDING

Key Markets

- Aerospace
- Chemical processing
- Consumer
- Energy, oil & gas
- Fluid power
- General industrial
- Information technology
- Life sciences
- Military
- Semiconductor
- Telecommunications
- Transportation

Key Products

- Dynamic seals
- Elastomeric o-rings
- EMI shielding
- Extruded & precision-cut, fabricated elastomeric seals
- Homogeneous & inserted elastomeric shapes
- High temperature metal seals
- Metal & plastic retained composite seals
- Thermal management

Parker Worldwide

Europe, Middle East, Africa

AE – United Arab Emirates, Dubai
Tel: +971 4 8127100
parker.me@parker.com

AT – Austria, Wiener Neustadt
Tel: +43 (0)2622 23501-0
parker.austria@parker.com

AT – Eastern Europe, Wiener Neustadt
Tel: +43 (0)2622 23501 900
parker.easteurope@parker.com

AZ – Azerbaijan, Baku
Tel: +994 50 2233 458
parker.azerbaijan@parker.com

BE/LU – Belgium, Nivelles
Tel: +32 (0)67 280 900
parker.belgium@parker.com

BY – Belarus, Minsk
Tel: +375 17 209 9399
parker.belarus@parker.com

CH – Switzerland, Etoy
Tel: +41 (0)21 821 87 00
parker.switzerland@parker.com

CZ – Czech Republic, Klecany
Tel: +420 284 083 111
parker.czechrepublic@parker.com

DE – Germany, Kaarst
Tel: +49 (0)2131 4016 0
parker.germany@parker.com

DK – Denmark, Ballerup
Tel: +45 43 56 04 00
parker.denmark@parker.com

ES – Spain, Madrid
Tel: +34 902 330 001
parker.spain@parker.com

FI – Finland, Vantaa
Tel: +358 (0)20 753 2500
parker.finland@parker.com

FR – France, Contamine s/Arve
Tel: +33 (0)4 50 25 80 25
parker.france@parker.com

GR – Greece, Athens
Tel: +30 210 933 6450
parker.greece@parker.com

HU – Hungary, Budaörs
Tel: +36 23 885 470
parker.hungary@parker.com

IE – Ireland, Dublin
Tel: +353 (0)1 466 6370
parker.ireland@parker.com

IT – Italy, Corsico (MI)
Tel: +39 02 45 19 21
parker.italy@parker.com

KZ – Kazakhstan, Almaty
Tel: +7 7273 561 000
parker.easteurope@parker.com

NL – The Netherlands, Oldenzaal
Tel: +31 (0)541 585 000
parker.nl@parker.com

NO – Norway, Asker
Tel: +47 66 75 34 00
parker.norway@parker.com

PL – Poland, Warsaw
Tel: +48 (0)22 573 24 00
parker.poland@parker.com

PT – Portugal, Leca da Palmeira
Tel: +351 22 999 7360
parker.portugal@parker.com

RO – Romania, Bucharest
Tel: +40 21 252 1382
parker.romania@parker.com

RU – Russia, Moscow
Tel: +7 495 645-2156
parker.russia@parker.com

SE – Sweden, Spånga
Tel: +46 (0)8 59 79 50 00
parker.sweden@parker.com

SK – Slovakia, Banská Bystrica
Tel: +421 484 162 252
parker.slovakia@parker.com

SL – Slovenia, Novo Mesto
Tel: +386 7 337 6650
parker.slovenia@parker.com

TR – Turkey, Istanbul
Tel: +90 216 4997081
parker.turkey@parker.com

UA – Ukraine, Kiev
Tel: +380 44 494 2731
parker.ukraine@parker.com

UK – United Kingdom, Warwick
Tel: +44 (0)1926 317 878
parker.uk@parker.com

ZA – South Africa, Kempton Park
Tel: +27 (0)11 961 0700
parker.southafrica@parker.com

North America

CA – Canada, Milton, Ontario
Tel: +1 905 693 3000

US – USA, Cleveland
Tel: +1 216 896 3000

Asia Pacific

AU – Australia, Castle Hill
Tel: +61 (0)2-9634 7777

CN – China, Shanghai
Tel: +86 21 2899 5000

HK – Hong Kong
Tel: +852 2428 8008

IN – India, Mumbai
Tel: +91 22 6513 7081-85

JP – Japan, Tokyo
Tel: +81 (0)3 6408 3901

KR – South Korea, Seoul
Tel: +82 2 559 0400

MY – Malaysia, Shah Alam
Tel: +60 3 7849 0800

NZ – New Zealand, Mt Wellington
Tel: +64 9 574 1744

SG – Singapore
Tel: +65 6887 6300

TH – Thailand, Bangkok
Tel: +662 186 7000-99

TW – Taiwan, Taipei
Tel: +886 2 2298 8987

South America

AR – Argentina, Buenos Aires
Tel: +54 3327 44 4129

BR – Brazil, Sao Jose dos Campos
Tel: +55 800 727 5374

CL – Chile, Santiago
Tel: +56 2 623 1216

MX – Mexico, Apodaca
Tel: +52 81 8156 6000



EMEA Product Information Centre

Free phone: 00 800 27 27 5374

(from AT, BE, CH, CZ, DE, DK, EE, ES, FI, FR, IE, IL, IS, IT, LU, MT, NL, NO, PL, PT, RU, SE, SK, UK, ZA)

US Product Information Centre

Toll-free number: 1-800-27 27 537

www.parker.com