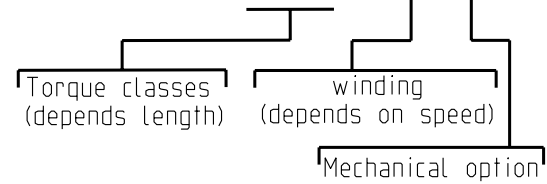


SECTION A - A

HKW 310 --- HA_R_000



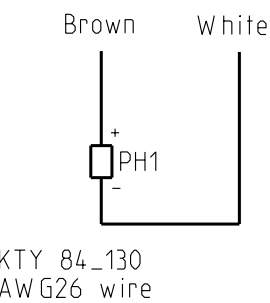
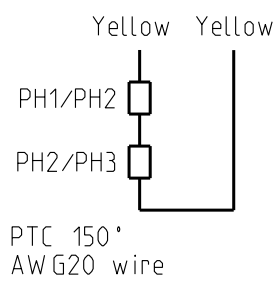
POWER WIRES

Phase U : Black
Phase V : White
Phase W : Red

Cables length 1 m

THERMAL SENSORS

Cables length 1 m



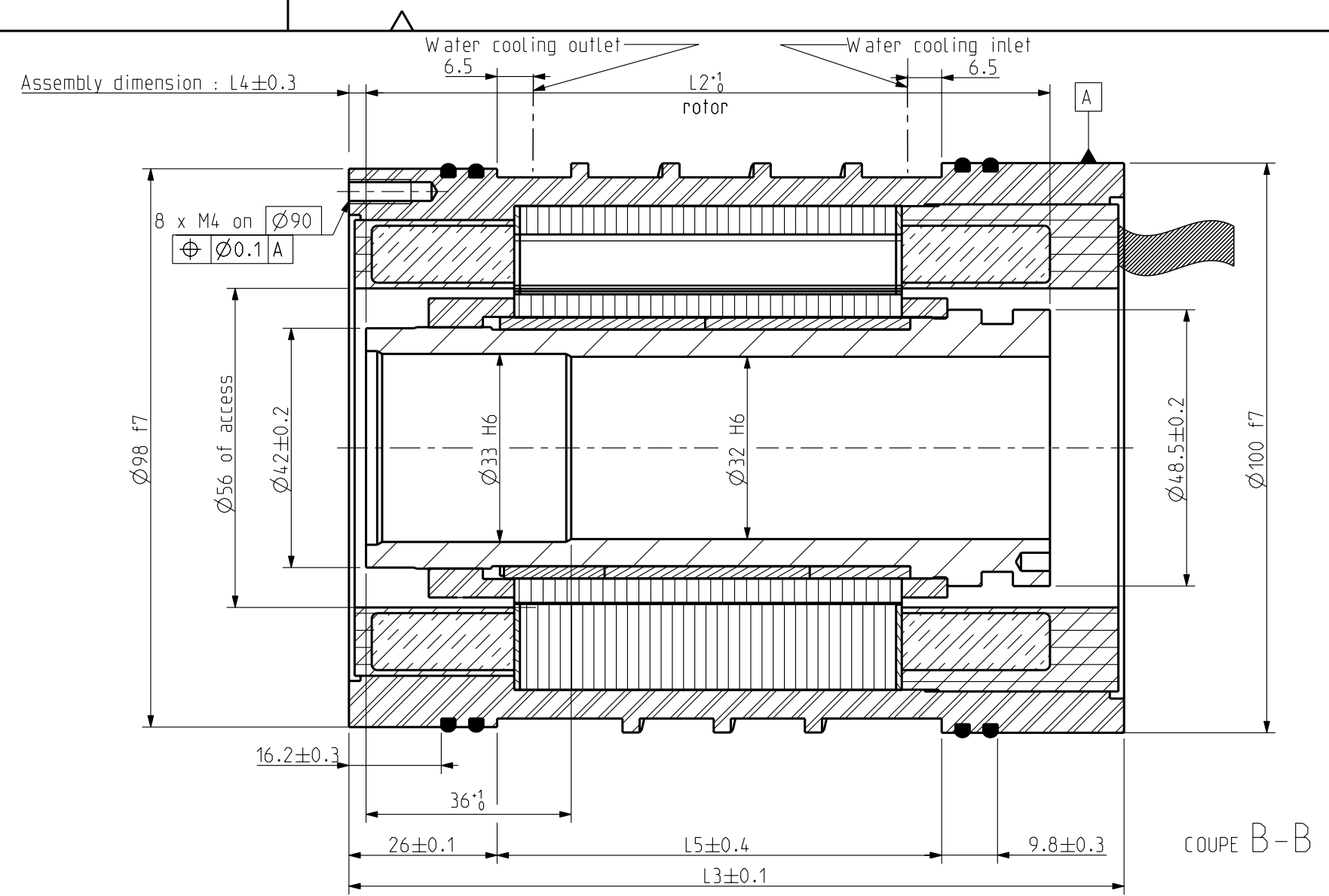
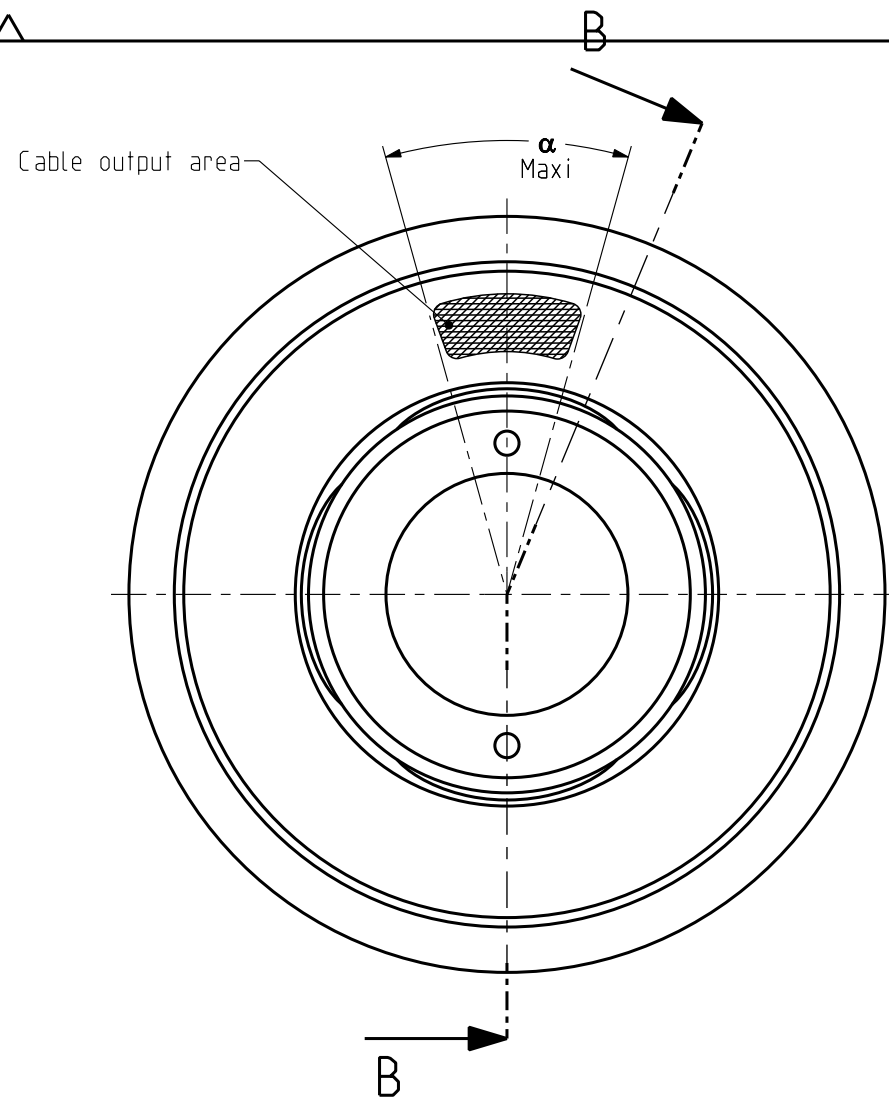
Conductors section (mm ²)	L1	L2	L3	L4	α (degrees)	Weight		
							BAU	BAP
2.5	68	120	134	26	25	3.5 kg	BAU	BAK
							BAQ	BAL
2.5	101	155	167	27.5	25	4.5 kg	BAI	BAJ
							BAK	BAL
4								

This drawing is the exclusive property of our firm and is strictly confidential. It cannot be transmitted, reproduced or copied without our written authorisation.	General tolerances DIN ISO 2768 mK	Drawn	23/10/09	OD	Visa		Service	FEDX	 SSD Parvex	HKW 085 OUTLINE DRAWING	Format	A3	Famille	: ENC
		Modifications	C	AM23480 - 08/10/10 OD										
		B	AM23323 - 21/01/10 OD											
		A	AM23301 - 03/12/09 OD											

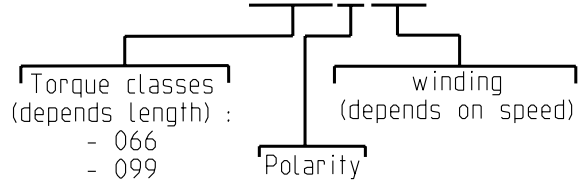
8 Avenue du Lac. BP249
21007 DIJON CEDEX

Scale
1:1

344960E2000 c

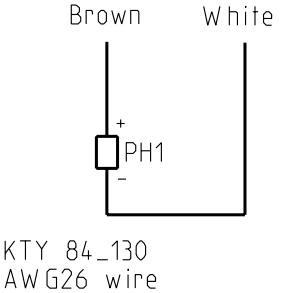
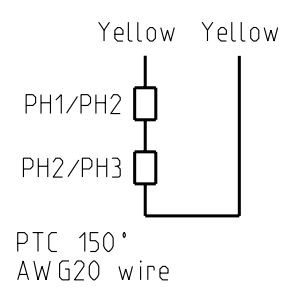


HKW 085 --- B --- R3000



POWER WIRES
Phase U : Black
Phase V : White
Phase W : Red
Cables length 1 m

THERMAL SENSORS
Cables length 1 m



Conductors section (mm ²)	L2	L3	L4	L5	α (degrees)	Weight		
							BAU	BAP
2.5	120	136	3	78	25	4 kg	BAU	BAP
							BAK	BAQ
2.5	155	169	1.5	111	25	5 kg	BAL	BAI
							BAI	
4								

This drawing is the exclusive property of our firm and is strictly confidential. It cannot be transmitted, reproduced or copied without our written authorisation.

General tolerances
DIN ISO 2768 mK

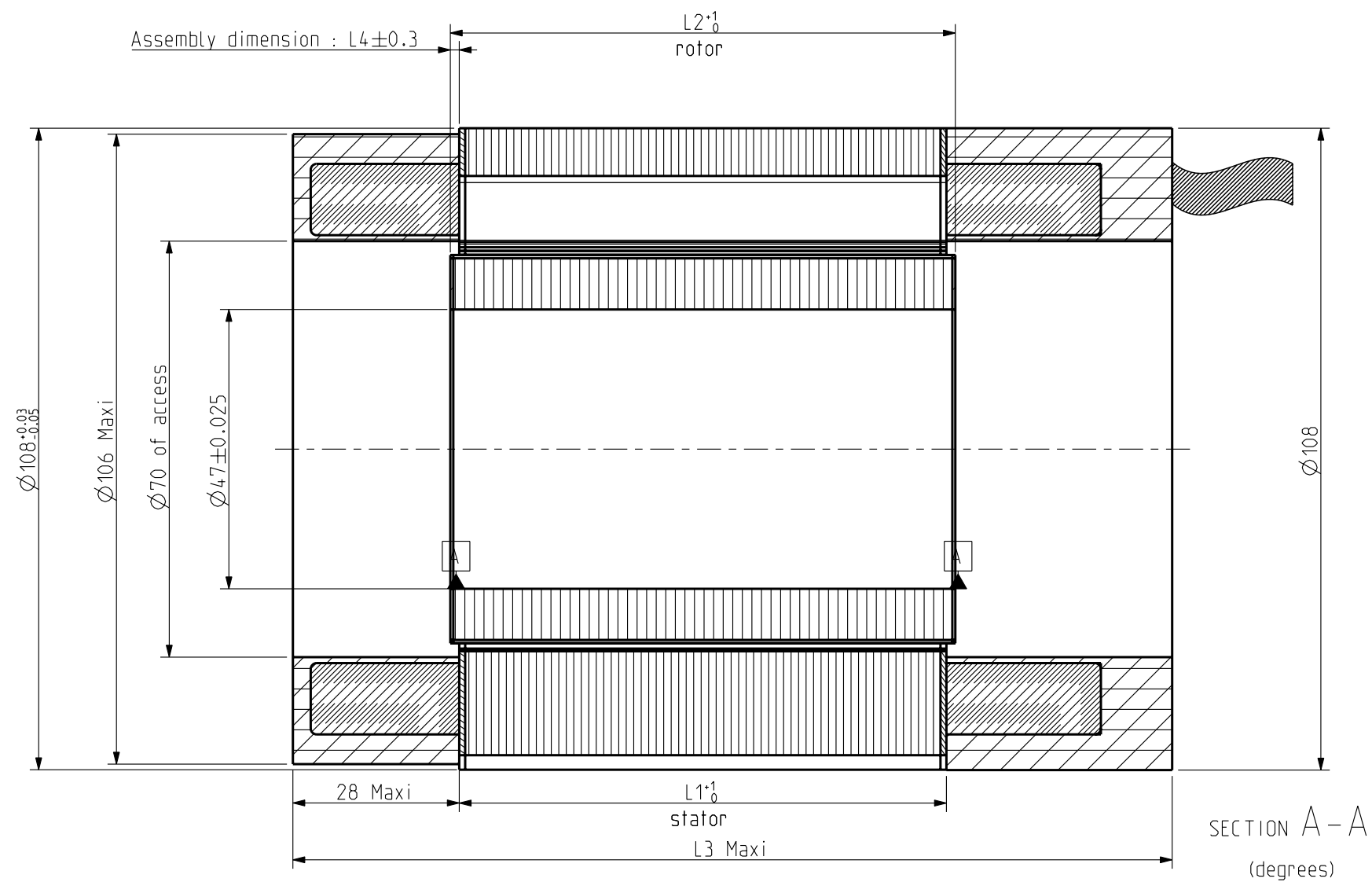
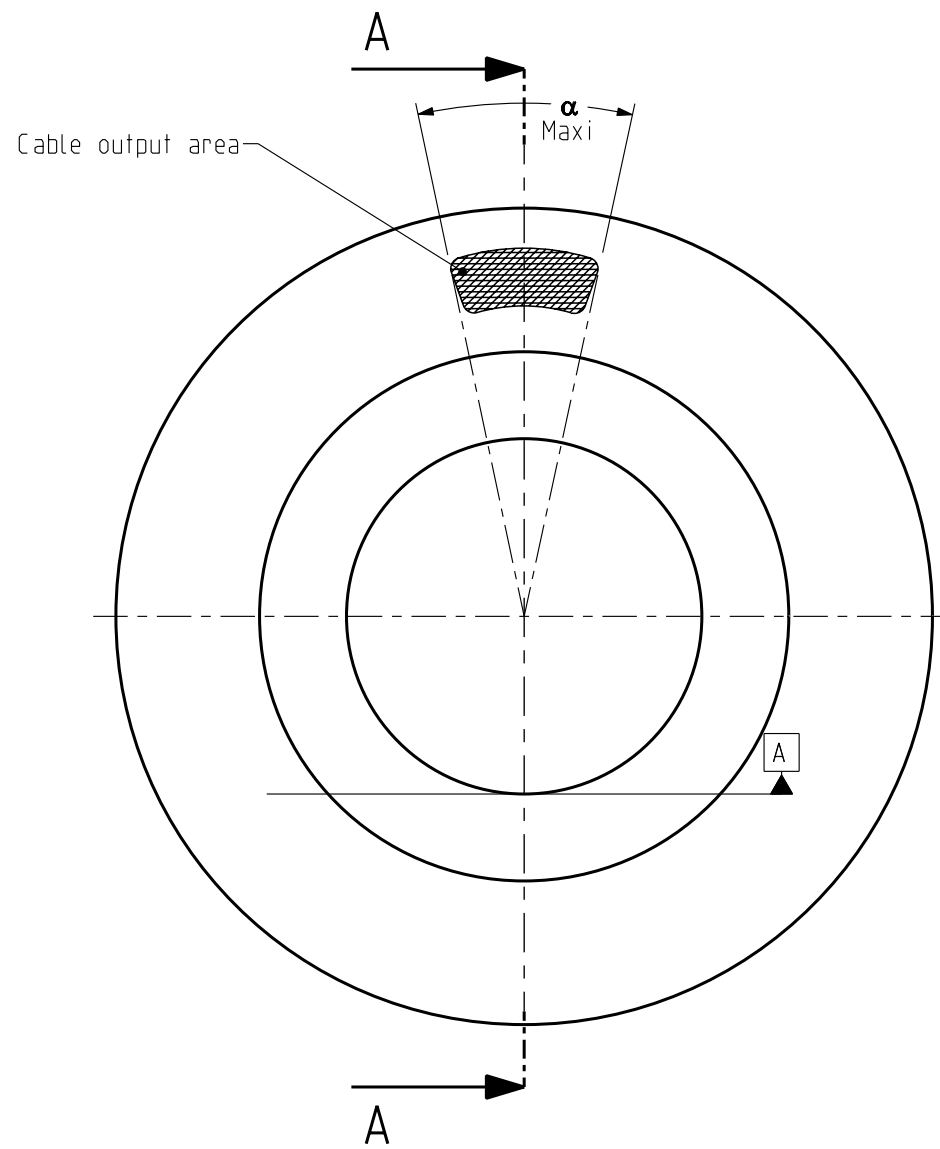
Drawn	23/10/09	OD	Visa		Service	FEDX
Modifications						
B	AM23323 - 21/01/10 OD					
A	AM23301 - 03/12/09 OD					

Scale
1:1

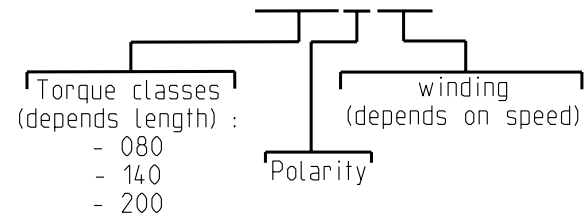
Parker
SSD Parvex
8 Avenue du lac. BP249
21007 DIJON CEDEX

HKW 085
OUTLINE DRAWING

Format A3
Famille : ENC
344960E3000 B



HKW 108 --- C --- R0000



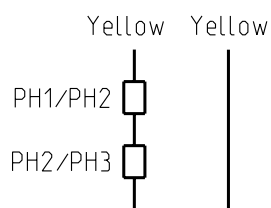
POWER WIRES

Phase U : Black
Phase V : White
Phase W : Red

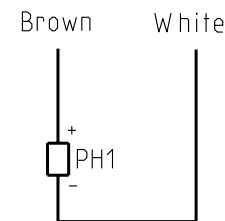
Cables length 1 m

THERMAL SENSORS

Cables length 1 m



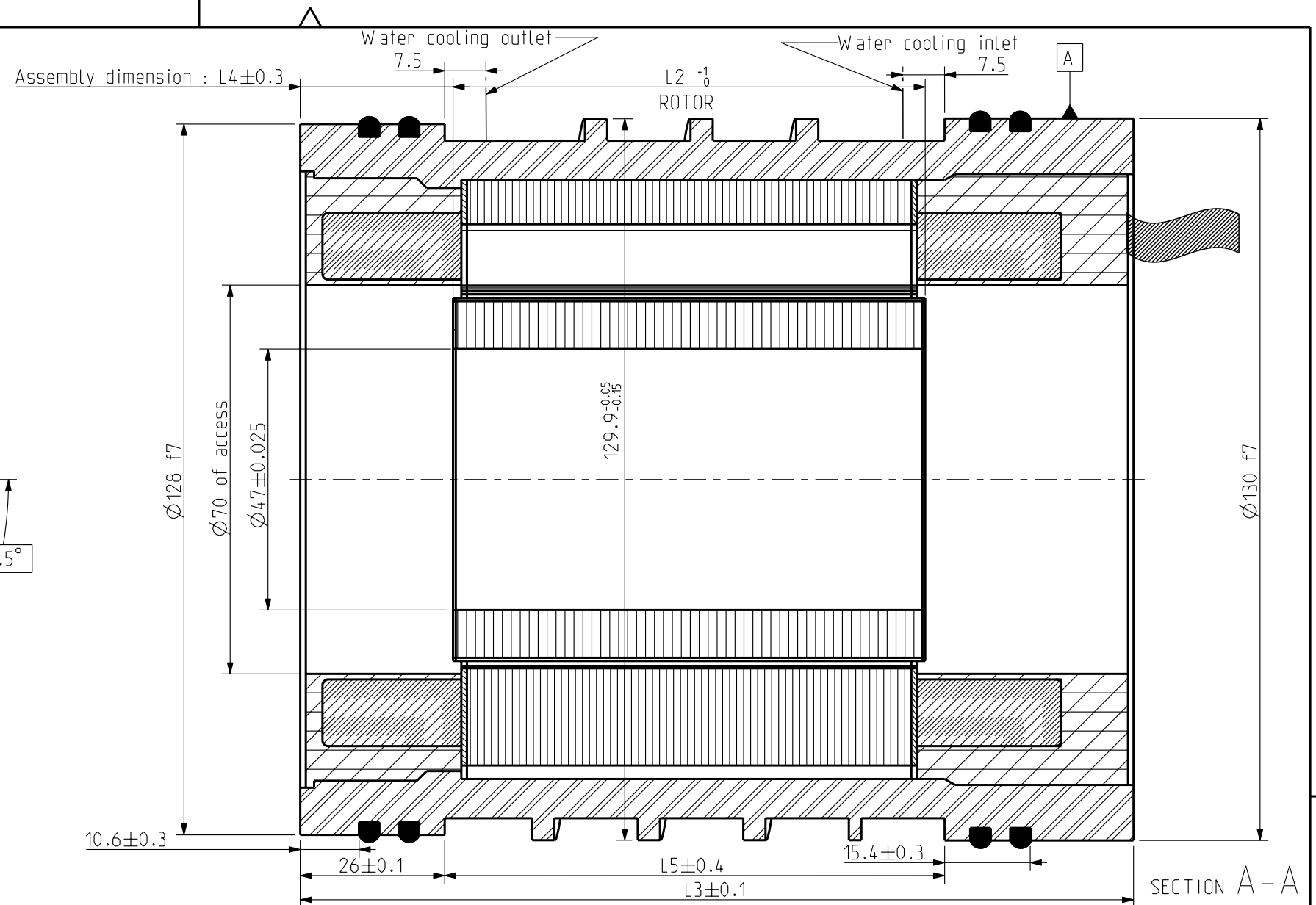
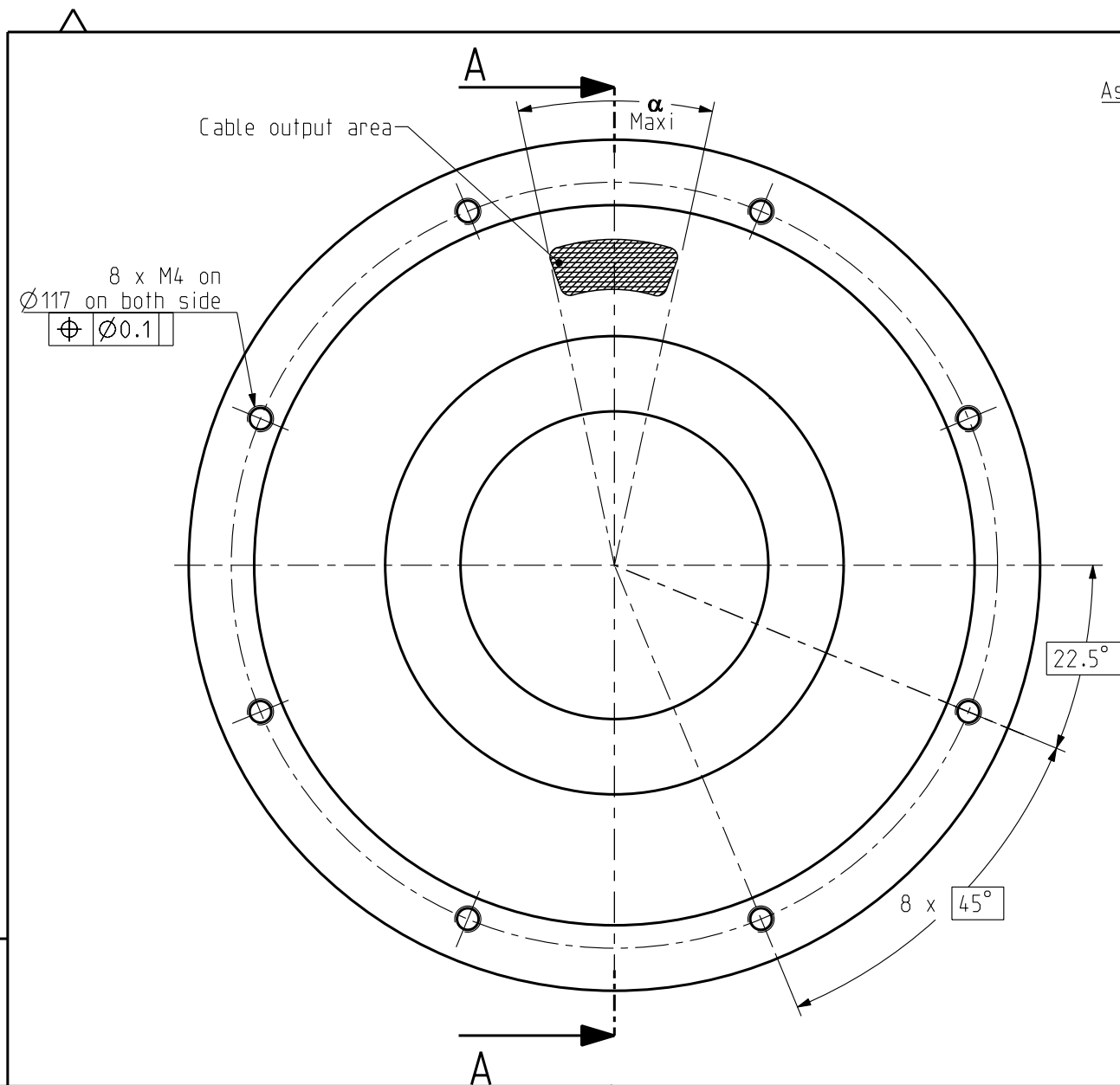
PTC 150°
AWG20 wire



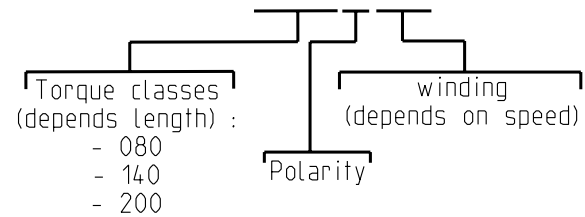
KTY 84_130
AWG26 wire

Conductors section (mm ²)	L1	L2	L3	L4	α	Weight					
							CAN	CAI	CAF	CAF	
HKW 108_080	4	82	85	148	1.5	25	7 kg	CAN			
								CAI			
								CAF			
HKW 108_140	4	142	144.5	208	1.25	25	10 kg	CAI			
								CAF			
								CAD			
HKW 108_200	4	202	206	268	2	25	12 kg	CAJ			
								CAF			

This drawing is the exclusive property of our firm and is strictly confidential. It cannot be transmitted, reproduced or copied without our written authorisation.	General tolerances DIN ISO 2768 mK	Drawn	23/10/09	OD	Visa		Service	FEDX	 SSD Parvex 8 Avenue du lac. BP249 21007 DIJON CEDEX	HKW 108		Format	Famille : ENC	
		Modifications	C	AM23480 - 08/10/10 OD						Scale	A3			
			B	AM23323 - 21/01/10 OD						1:1				
	A	AM23287 - 11/11/09 OD									OUTLINE DRAWING	344961E0000		



HKW 108 _ _ _ C _ _ _ R1000



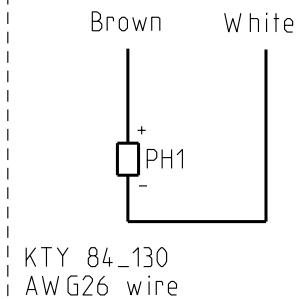
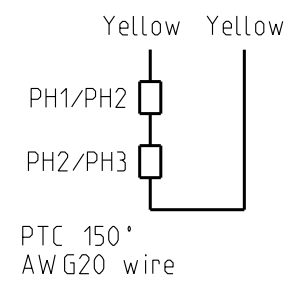
POWER WIRES

Phase U : Black
Phase V : White
Phase W : Red

Cables length 1 m

THERMAL SENSORS

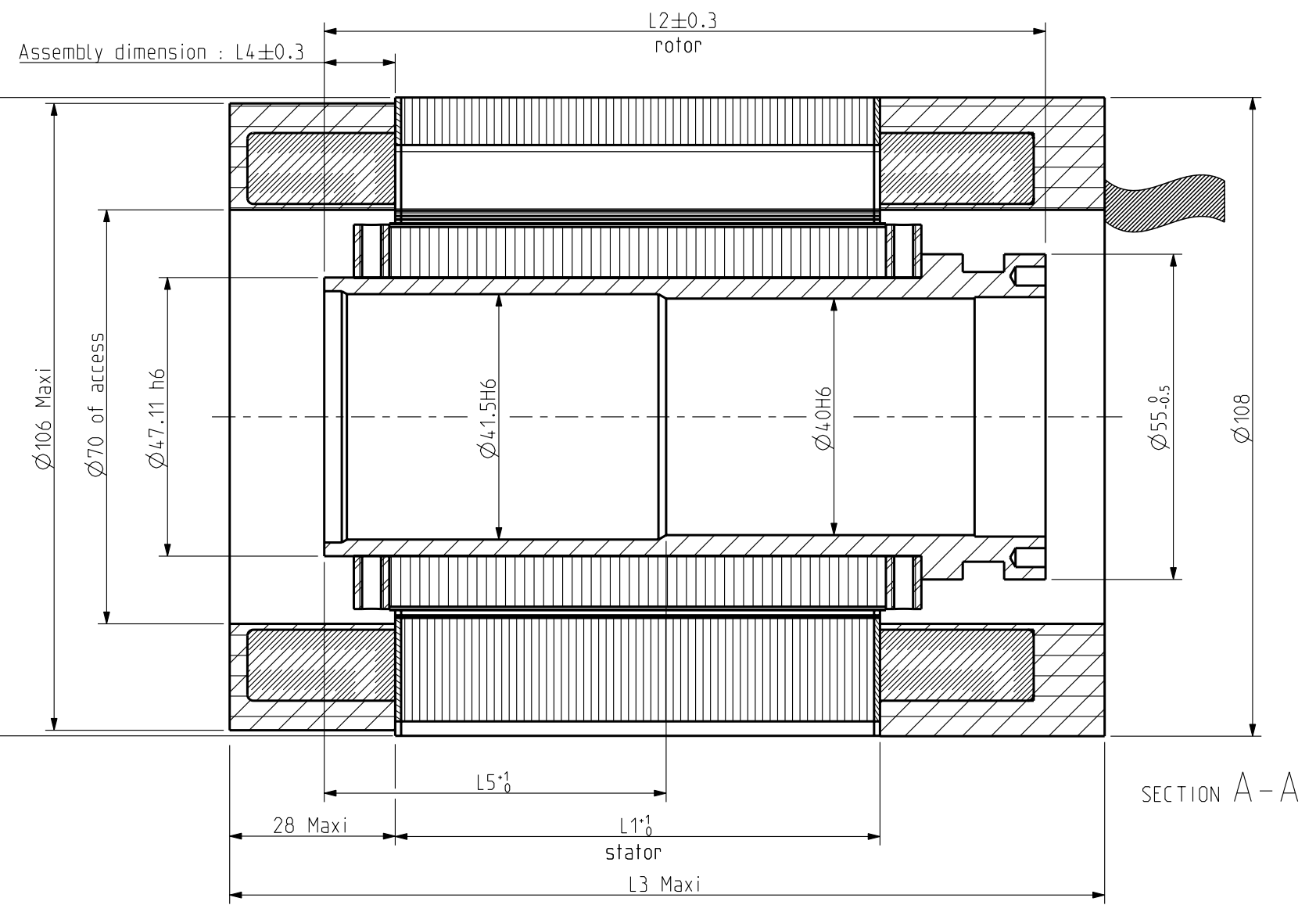
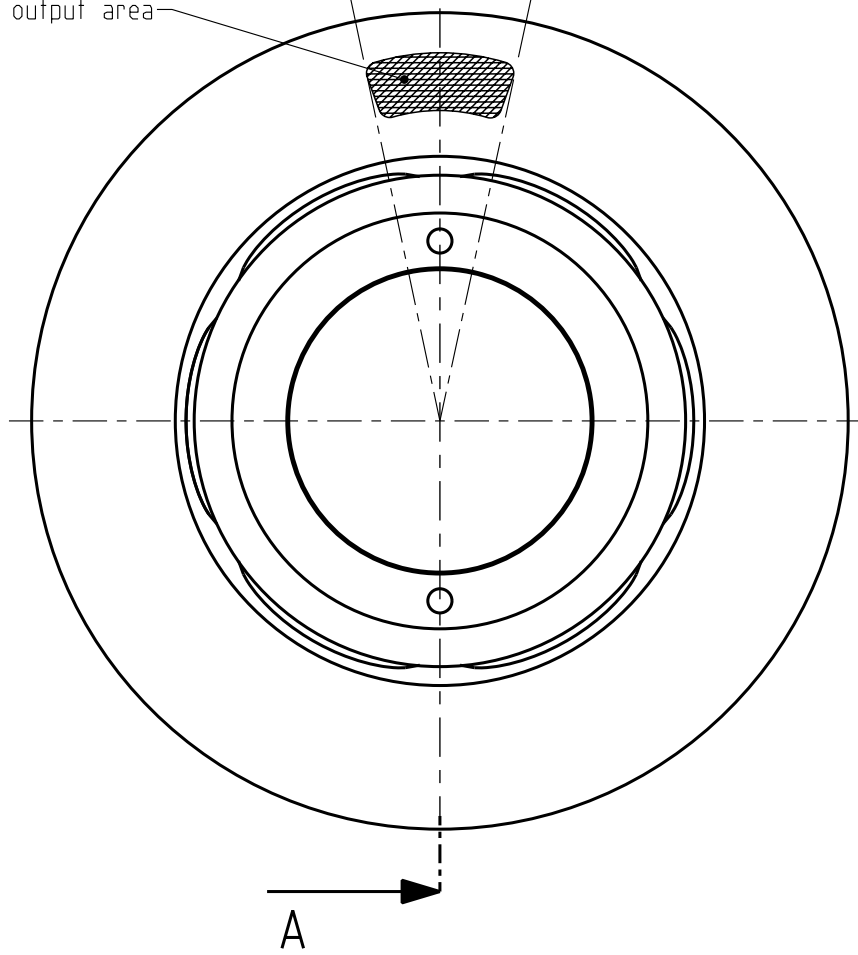
Cables length 1 m



Model	CAN	CAI	CAF	CAD	CAJ	CAF	Conductors section (mm ²)	L2	L3	L4	L5	α (degrees)	Weight
								L2	L3	L4	L5		
HKW 108_080							4	85	150	28.5	90	25	8 kg
HKW 108_140							4	144.5	210	28.75	150	25	11 kg
						10							
						4							
HKW 108_200							4	206	270	28	210	25	14 kg

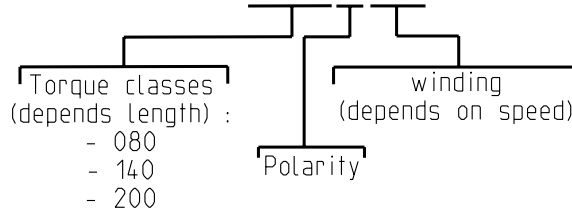
This drawing is the exclusive property of our firm and is strictly confidential. It cannot be transmitted, reproduced or copied without our written authorisation.	General tolerances	Drawn	23/10/09	OD	Visa		Service	FEDX	 SSD Parvex 8 Avenue du lac. BP249 21007 DIJON CEDEX	HKW 108		Format	Famille : ENC		
	DIN ISO 2768 mK	Modifications	C	AM23342	23/02/10	AH				Scale	OUTLINE DRAWING		A3		
			B	AM23323	-	21/01/10				1:1			344961E1000		C

Cable output area



SECTION A - A

HKW 108 --- C --- R2000



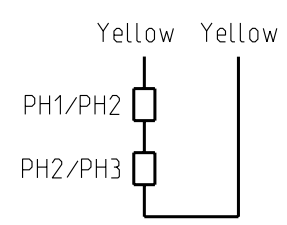
POWER WIRES

Phase U : Black
Phase V : White
Phase W : Red

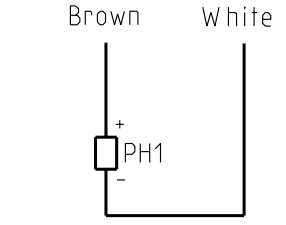
Cables length 1 m

THERMAL SENSORS

Cables length 1 m



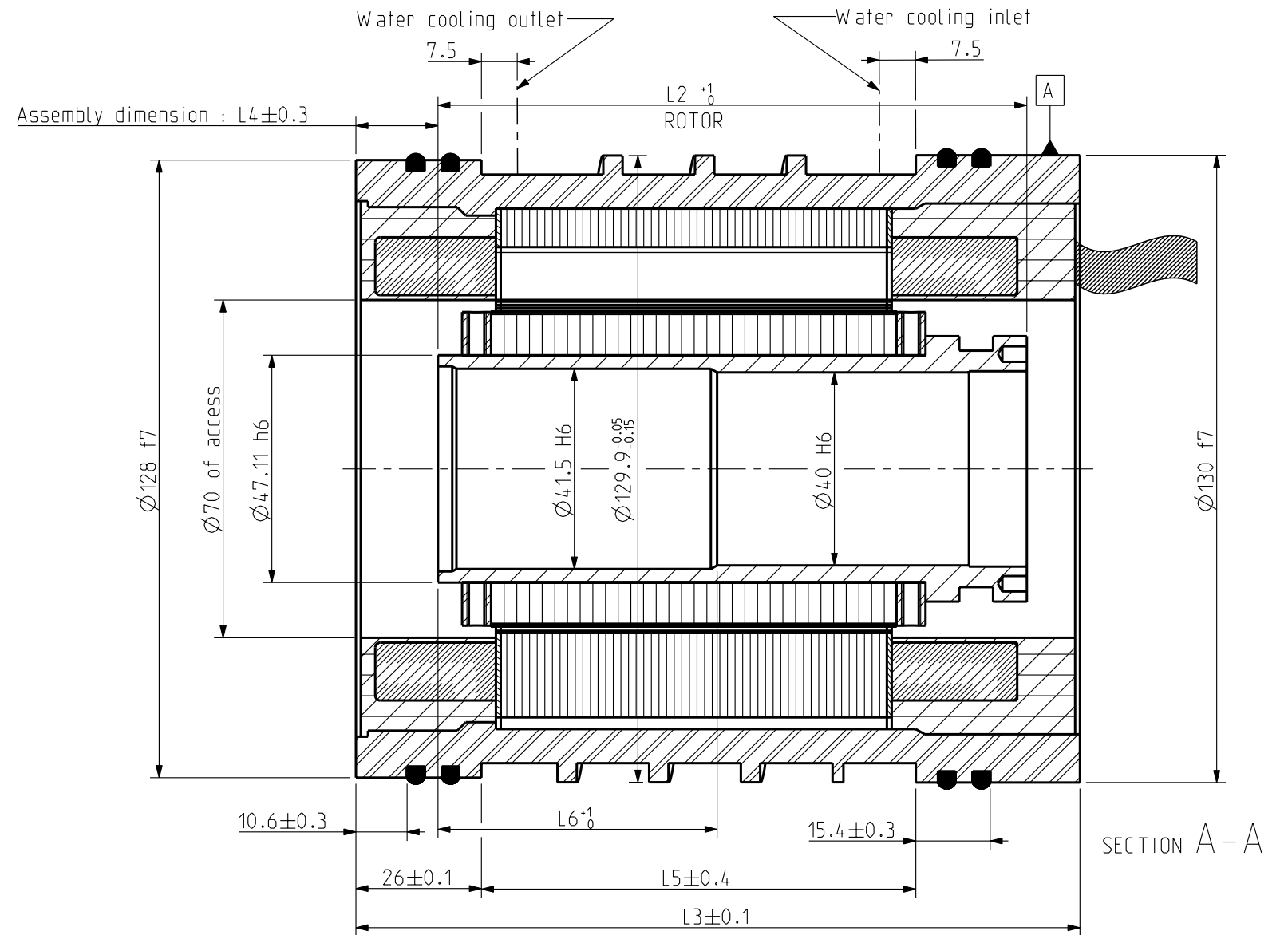
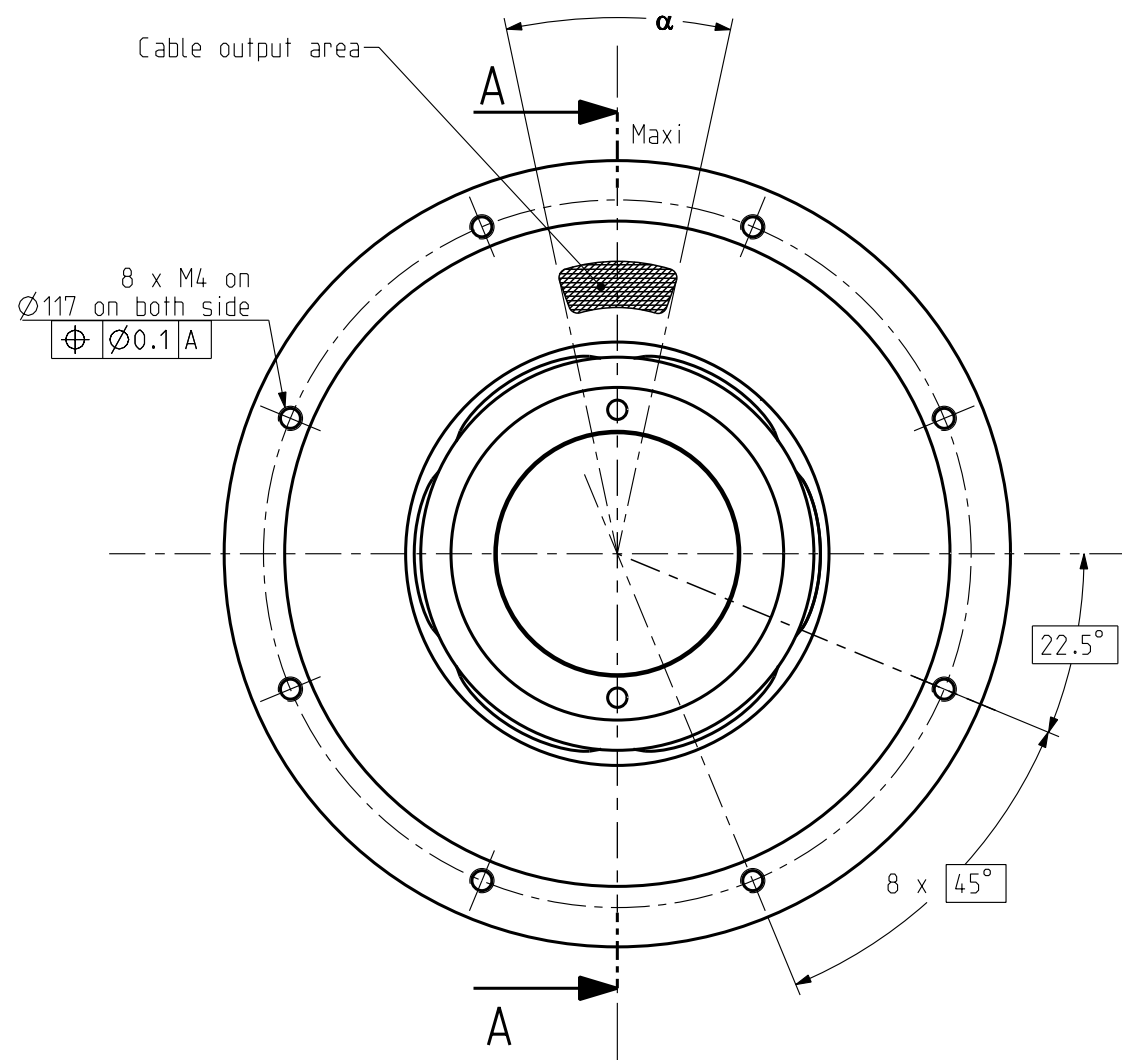
PTC 150*
AWG20 wire



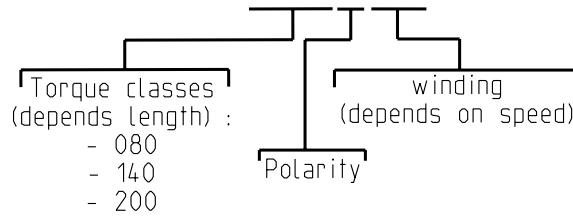
KTY 84_130
AWG26 wire

Model	CAN	CAI	CAF	CAD	CAJ	CAF	Conductors section (mm ²)	L1	L2	L3	L4	L5	α (degrees)	Weight
								L1	L2	L3	L4	L5		
HKW 108_080	CAN													
	CAI	4	82	122	148	12	58	25	7.5 kg					
	CAF													
HKW 108_140	CAI	4	142	182	208	12.25	118	25	11kg					
	CAD	10												
HKW 108_200	CAJ	4	202	242	268	11.5	178	25	13 kg					
	CAF													

This drawing is the exclusive property of our firm and is strictly confidential. It cannot be transmitted, reproduced or copied without our written authorisation.	General tolerances DIN ISO 2768 mK	Drawn: 14/06/10 OD Visa Service: FEDX	Scale: 1:1	 SSD Parvex 8 Avenue du lac. BP249 21007 DIJON CEDEX	HKW 108 OUTLINE DRAWING	Format: A3 Famille: ENC	344961E2000	A
	Modifications: A AM 23480 - 08/10/10 OD							



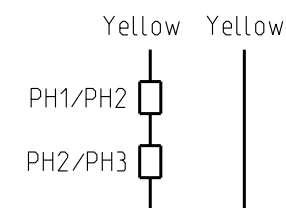
HKW 108 _ _ _ C _ _ _ R3000



POWER WIRES

Phase U : Black
Phase V : White
Phase W : Red

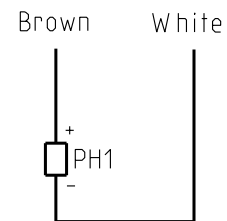
Cables length 1 m



PTC 150°
AWG20 wire

THERMAL SENSORS

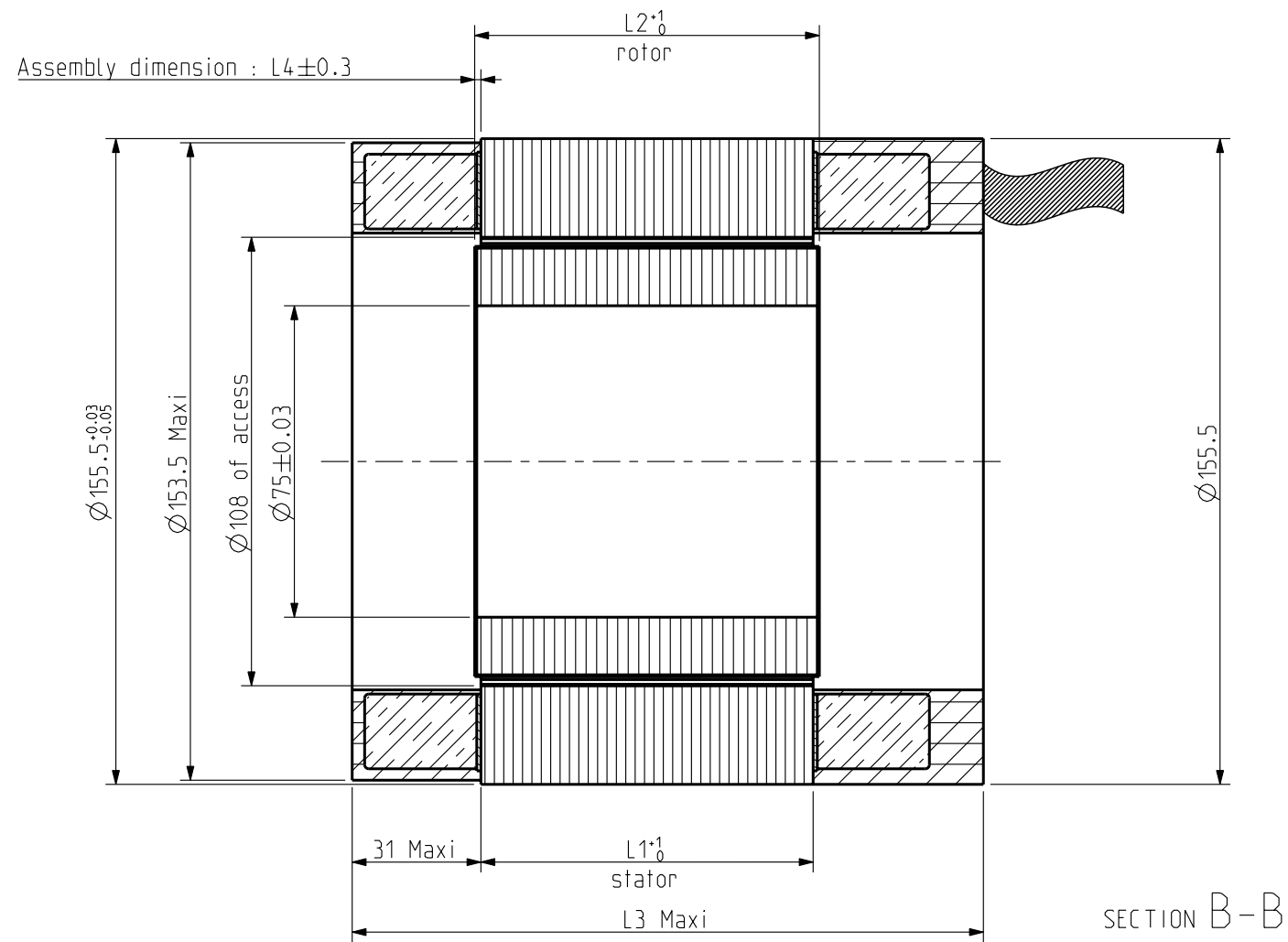
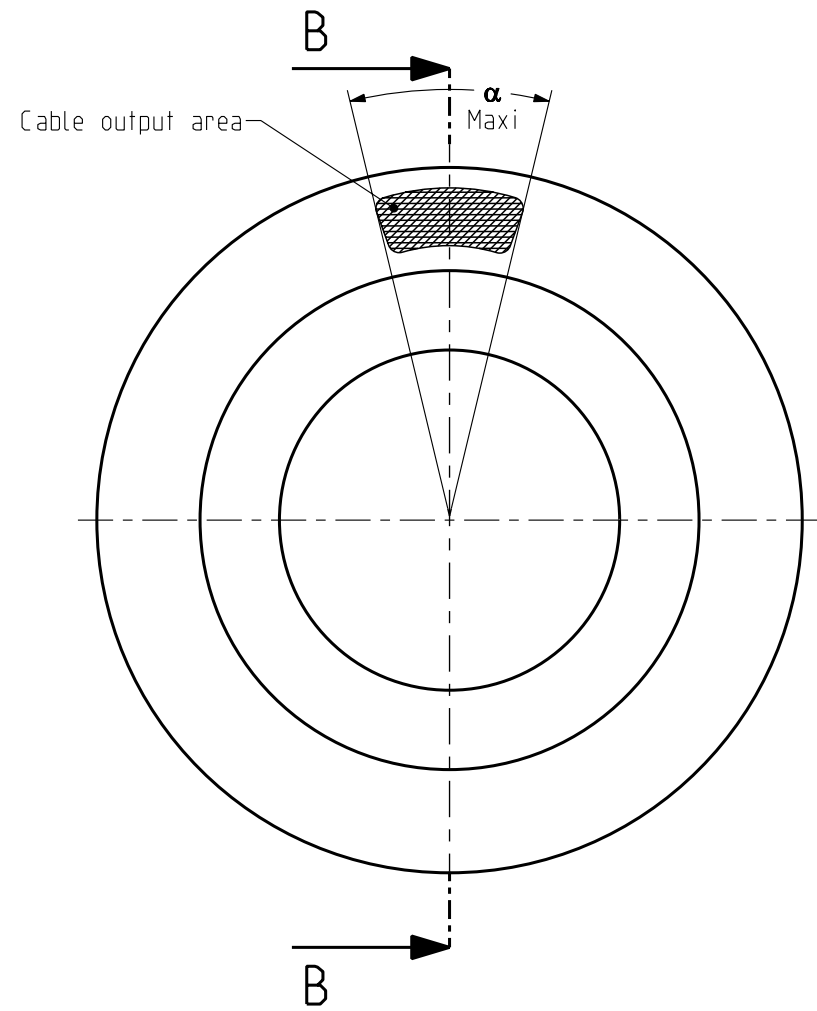
Cables length 1 m



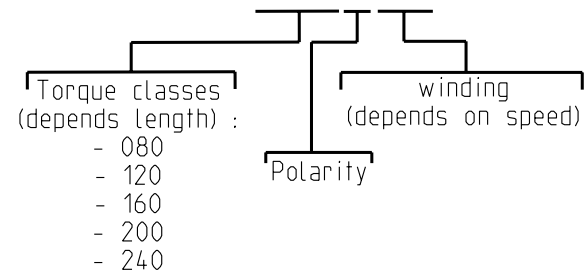
KTY 84_130
AWG26 wire

		Conductors section (mm ²)	L2	L3	L4	L5	L6	α (degrees)	Weight
HKW 108_080	CAN	4	122	150	17	90	58	25	8.5 kg
	CAI								
	CAF								
HKW 108_140	CAI	4	182	210	16.75	150	118	25	12 kg
	CAF								
	CAD								
HKW 108_200	CAJ	4	242	270	17.5	210	178	25	15 kg
	CAF								

This drawing is the exclusive property of our firm and is strictly confidential. It cannot be transmitted, reproduced or copied without our written authorisation.	General tolerances	Drawn	15/06/10	OD	Visa		Service	FEDX	 SSD Parvex 8 Avenue du lac. BP249 21007 DIJON CEDEX	HKW 108 OUTLINE DRAWING	Format	A3	Famille : ENC
	DIN ISO 2768 mK	Modifications						Scale		4:5	344961E3000		



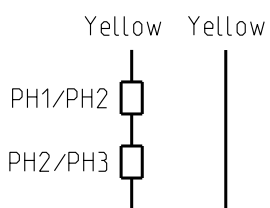
HKW 155 _ _ _ C _ _ _ R0000



POWER WIRES

Phase U : Black
Phase V : White
Phase W : Red

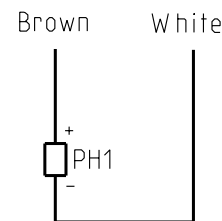
Cables length 1 m



PTC 150°
AWG20 wire

THERMAL SENSORS

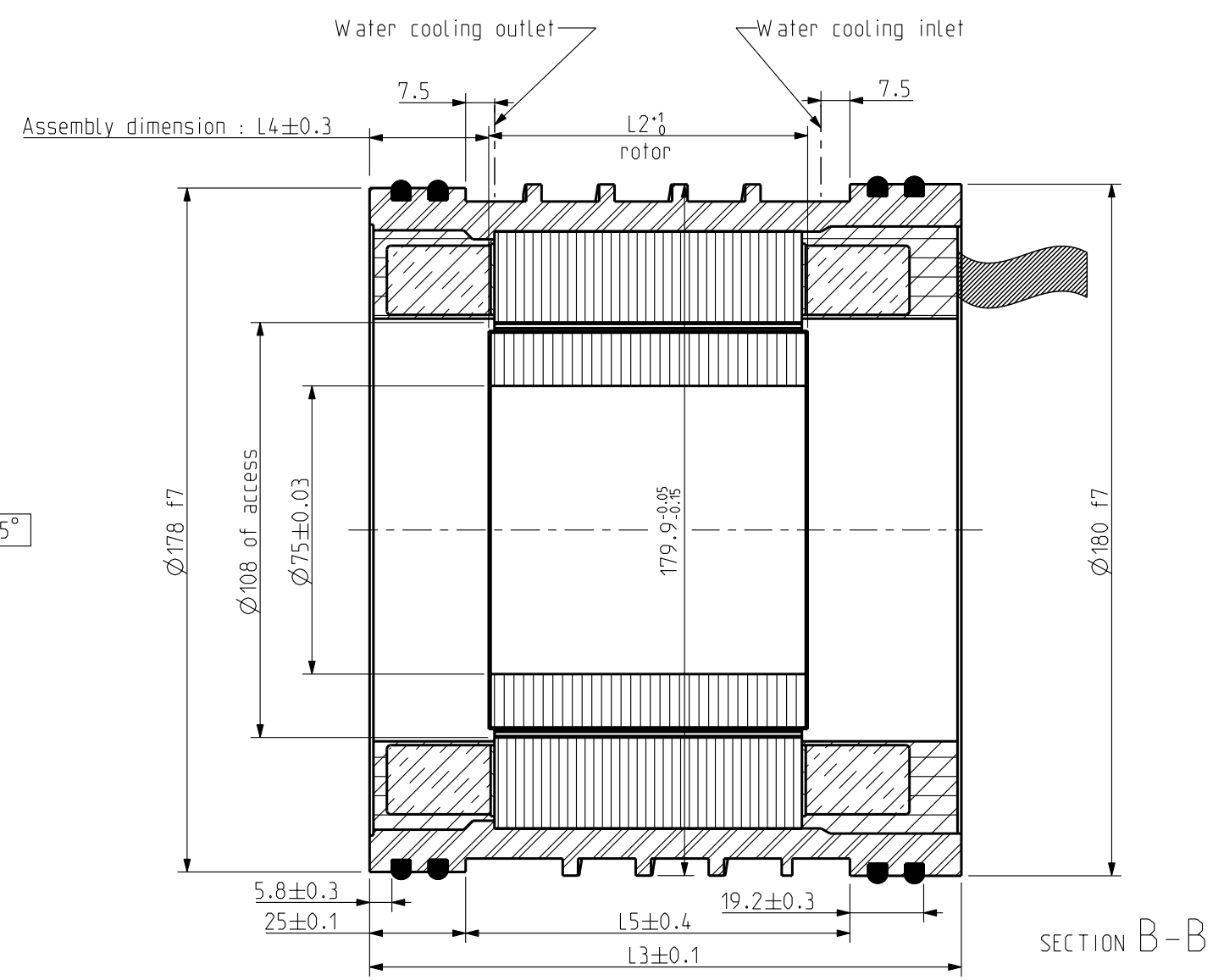
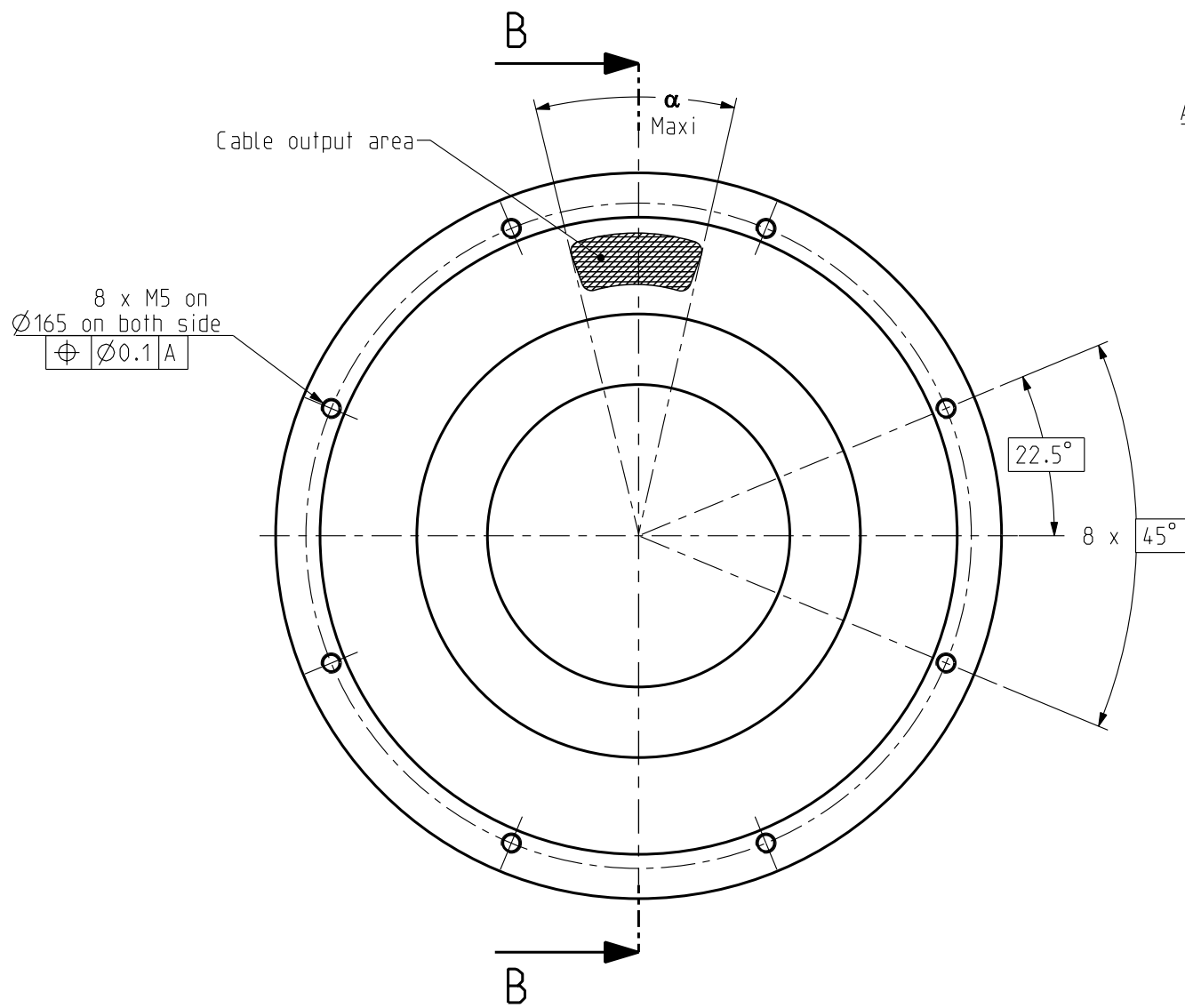
Cables length 1 m



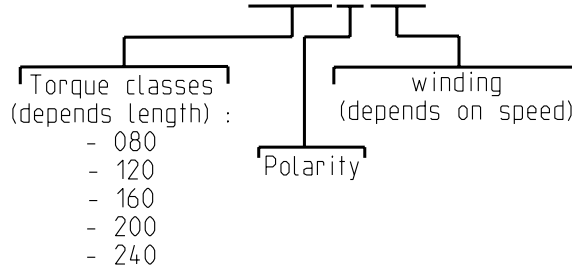
KTY 84_130
AWG26 wire

HKW 155_080	Conductors section (mm ²)	L1	L2	L3	L4	α (degrees)	Weight
HKW 155_120	CAP	120	123	192	1.5	25	17 kg
	CAR						
	CAK						
	CAH						
HKW 155_160	CAF	160	163	232	1.5	25	21 kg
	CAD						
	CBE						
	CAC						
	CAI						
HKW 155_240	CAD	240	244	321	1.5	50	30 kg
	CBE						

This document is the property of PARVEX. Transmission as well as reproduction or copy is not permitted without written authorisation.	General tolerances	Drawn	20/10/09	OD	Visa		Service	FEDX	 SSD Parvex 8 Avenue du lac. BP249 21007 DIJON CEDEX	Format	Famille : ENC	
	DIN ISO 2768 mK	Modifications	C	AM23286 - 06/11/09 OD	F	AM23300 - 15/12/09 AH	Scale	3:5		A3	HKW 155	
			B	AM23280 - 28/10/09 OD	E	AM23292 - 17/11/09 OD				OUTLINE DRAWING	344962E0000	G



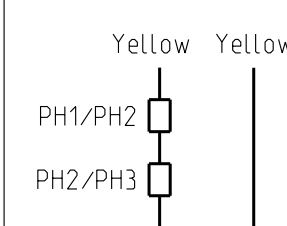
HKW 155 _ _ _ C _ _ _ R1000



POWER WIRES

Phase U : Black
 Phase V : White
 Phase W : Red

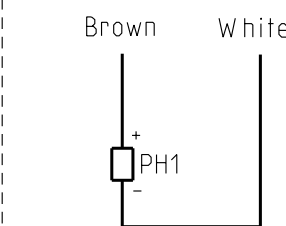
Cables length 1 m



PTC 150°
 AWG20 wire

THERMAL SENSORS

Cables length 1 m



KTY 84_130
 AWG26 wire

Conductors section (mm ²)	L2	L3	L4	L5	α (degrees)	Weight	
							HKW 155_080
4	83	154	30.5	100	25	13 kg	
							CAP
							CAR
							CRP
4	123	194	30.5	140	25	17 kg	
							CAK
							CAH
							CAF
							CAP
							CAR
10	163	234	30.5	180	25	21 kg	
							CAH
							CAF
							CAD
							CAC
							CBE
16	244	323	30.5	260	40	22 kg	
							CAD
25	244	323	30.5	260	50	30 kg	
							CAC
25	244	323	30.5	260	50	30 kg	
							CBE

This document is the property of PARVEX. Transmission as well as reproduction or copy is not permitted without written authorisation.

General tolerances
 DIN ISO 2768 mK

Drawn	20/10/09	OD	Visa						
Modifications	C	AM23300 - 15/12/09 AH							
	B	AM23292 - 17/11/09 OD							
	A	AM23287 - 11/11/09 OD							
		D	AM 233115 - 13/01/10 AH						

Scale
 3:5

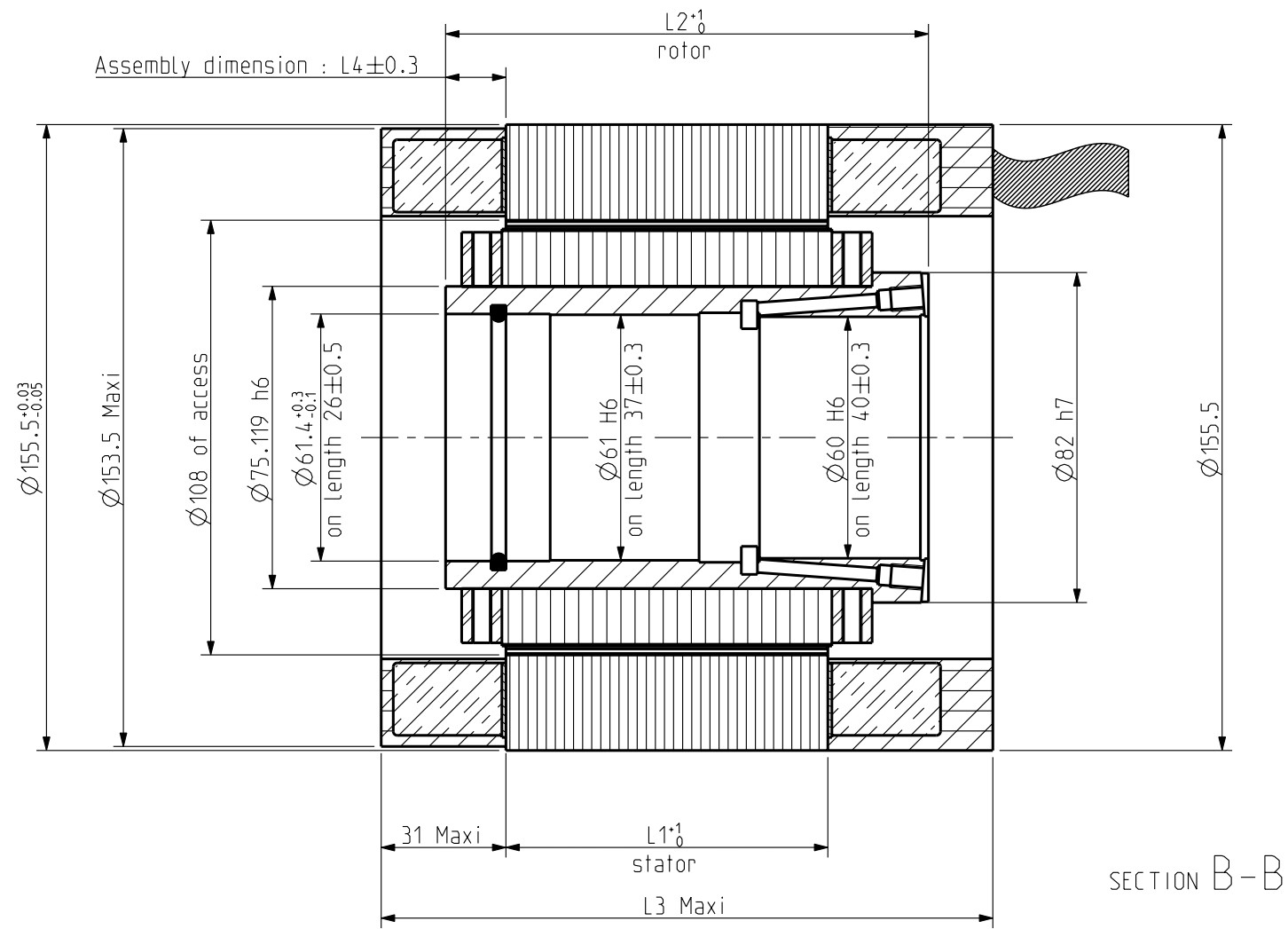
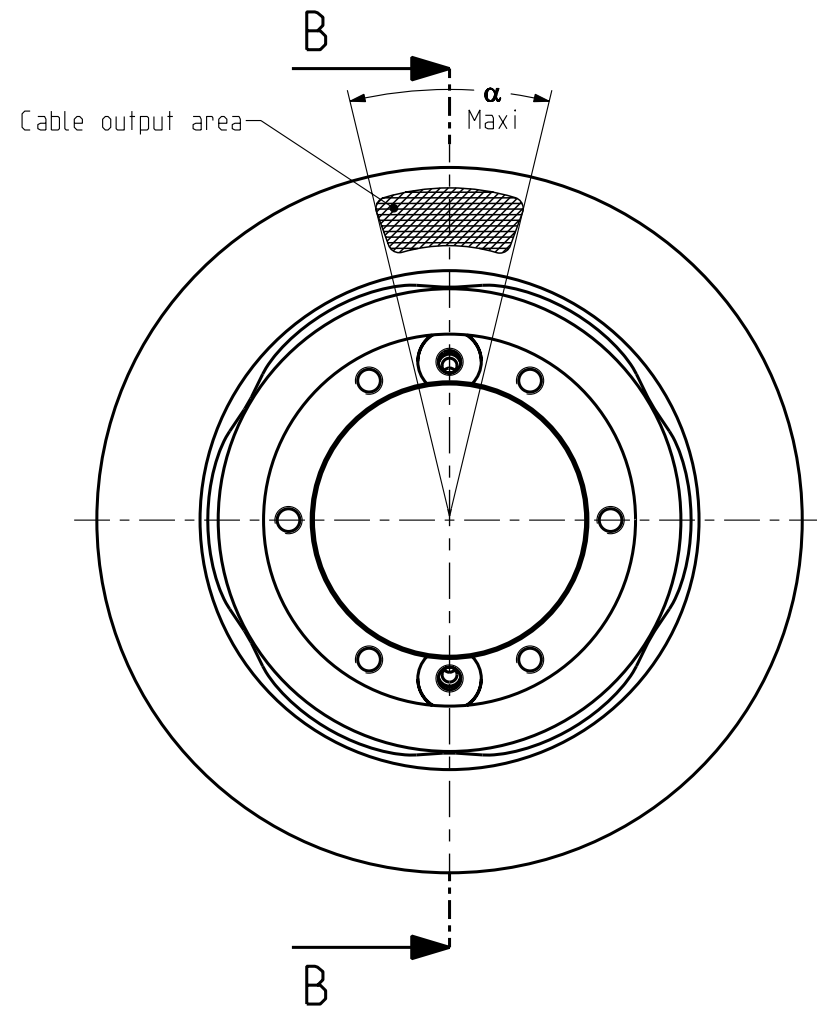
Parker
SSD Parvex
 8 Avenue du lac. BP249
 21007-DIJON cedex-FRANCE
 www.SSDdrives.com

HKW 155
 OUTLINE DRAWING

Format
 A3

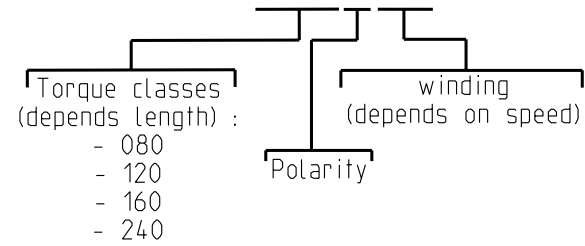
F	E	S	G	I
	x			

344962E1000



SECTION B-B

HKW 155 _ _ _ C _ _ _ R2000



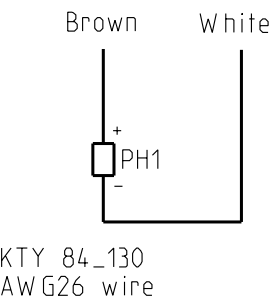
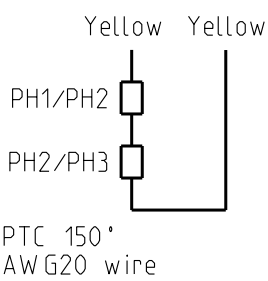
POWER WIRES

Phase U : Black
Phase V : White
Phase W : Red

Cables length 1 m

THERMAL SENSORS

Cables length 1 m

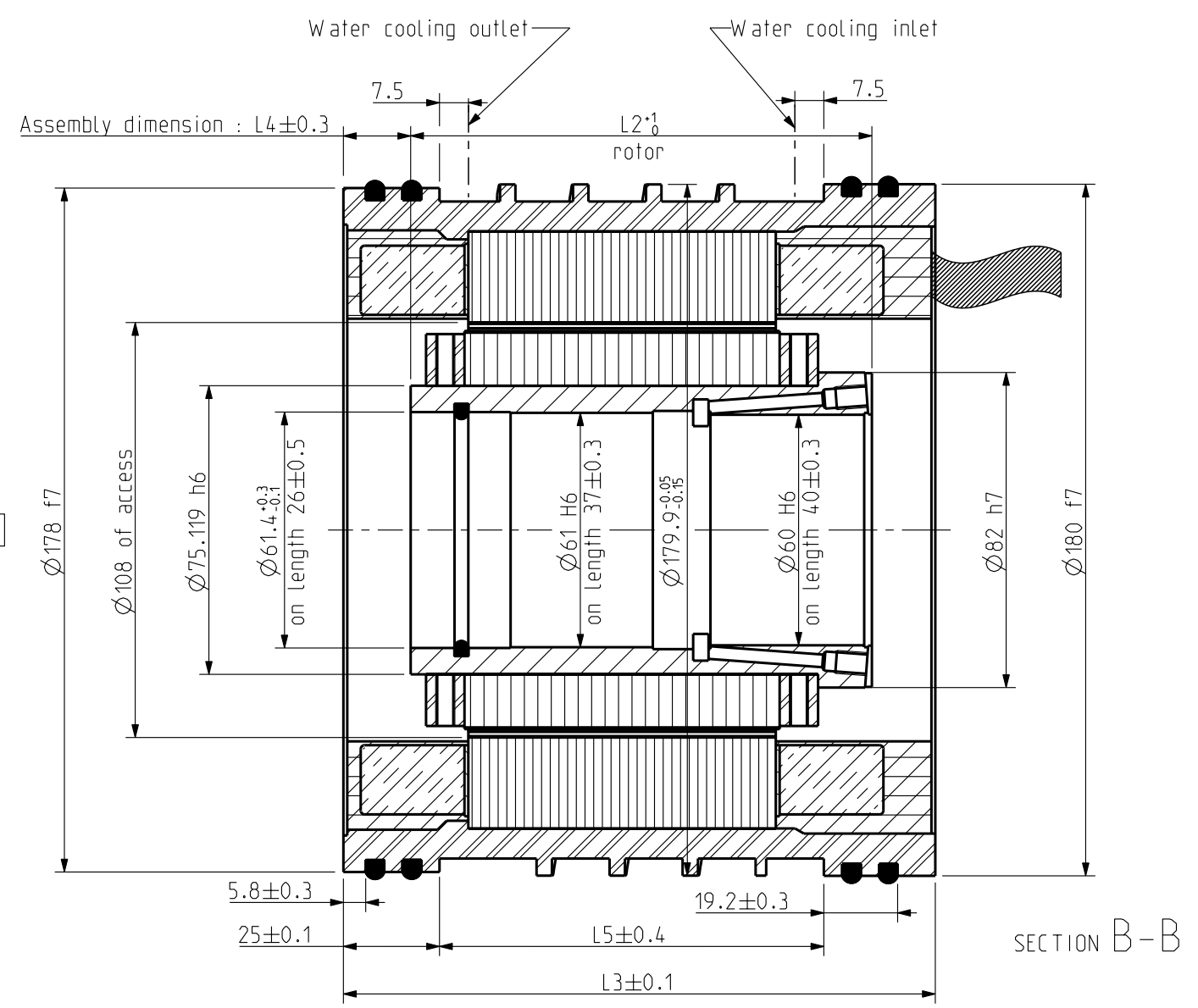
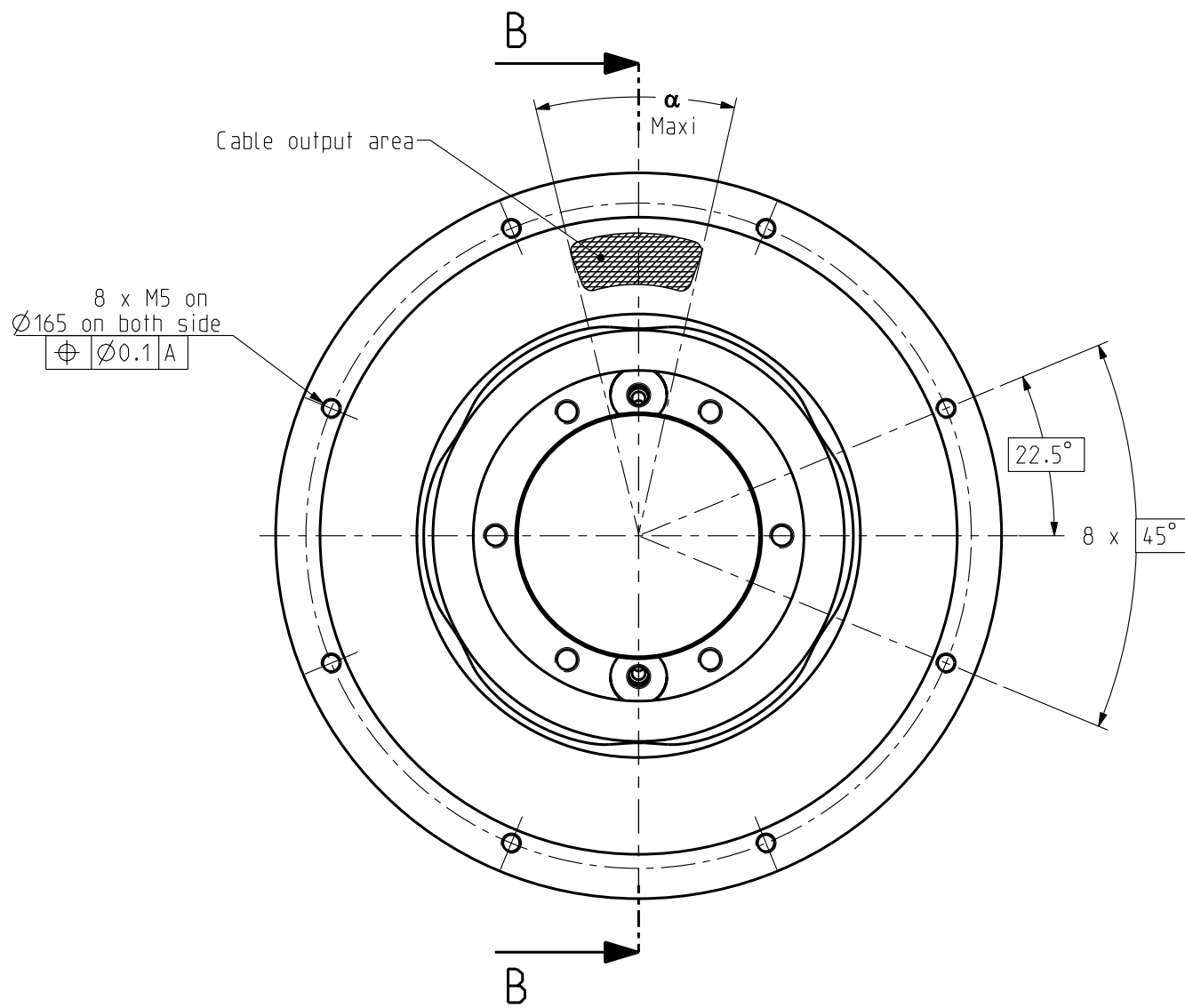


HKW 155_080	Conductors section (mm ²)	L1	L2	L3	L4	α (degrees)	Weight
HKW 155_120	CAP	120	160	192	15	25	18 kg
	CAR						
	CAK						
	CAH						
HKW 155_160	CAP	160	200	232	15	25	22 kg
	CAR						
	CAH						
	CAF						
HKW 155_240	CAD	240	280	321	15	50	32 kg
	CBE						

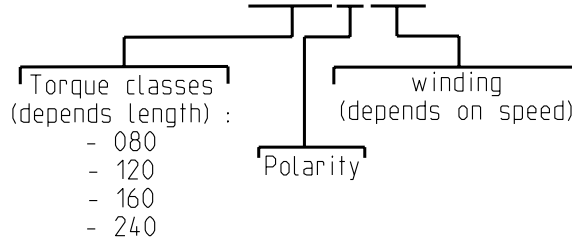
This document is the property of PARVEX. Transmission as well as reproduction or copy is not permitted without written authorisation.	General tolerances	Drawn	15/06/10	OD	Visa		Service	FEDX	 SSD Parvex 8 Avenue du lac. BP249 21007 DIJON CEDEX	Format	A3	Famille : ENC	
	DIN ISO 2768 mK	Modifications						Scale		3:5			
		A	AM23480 - 08/10/10 OD									HKW 155	344962E2000

OUTLINE DRAWING

344962E2000 A



HKW 155 _ _ _ C _ _ _ R3000



POWER WIRES	THERMAL SENSORS
Phase U : Black Phase V : White Phase W : Red	Cables length 1 m
Cables length 1 m	
Yellow Yellow	Brown White
PH1/PH2	PH1
PH2/PH3	
PTC 150° AWG20 wire	KTY 84_130 AWG26 wire

Conductors section (mm ²)	L2	L3	L4	L5	α (degrees)	Weight
4	120	154	17.5	100	25	11 kg
4	160	194	17.5	140	25	11 kg
6						
10					40	
16	200	234	17.5	180	25	22 kg
4						
10					40	
16					50	24 kg
25	280	323	17.5	260	50	32 kg
35						
25						

This document is the property of PARVEX. Transmission as well as reproduction or copy is not permitted without written authorisation.

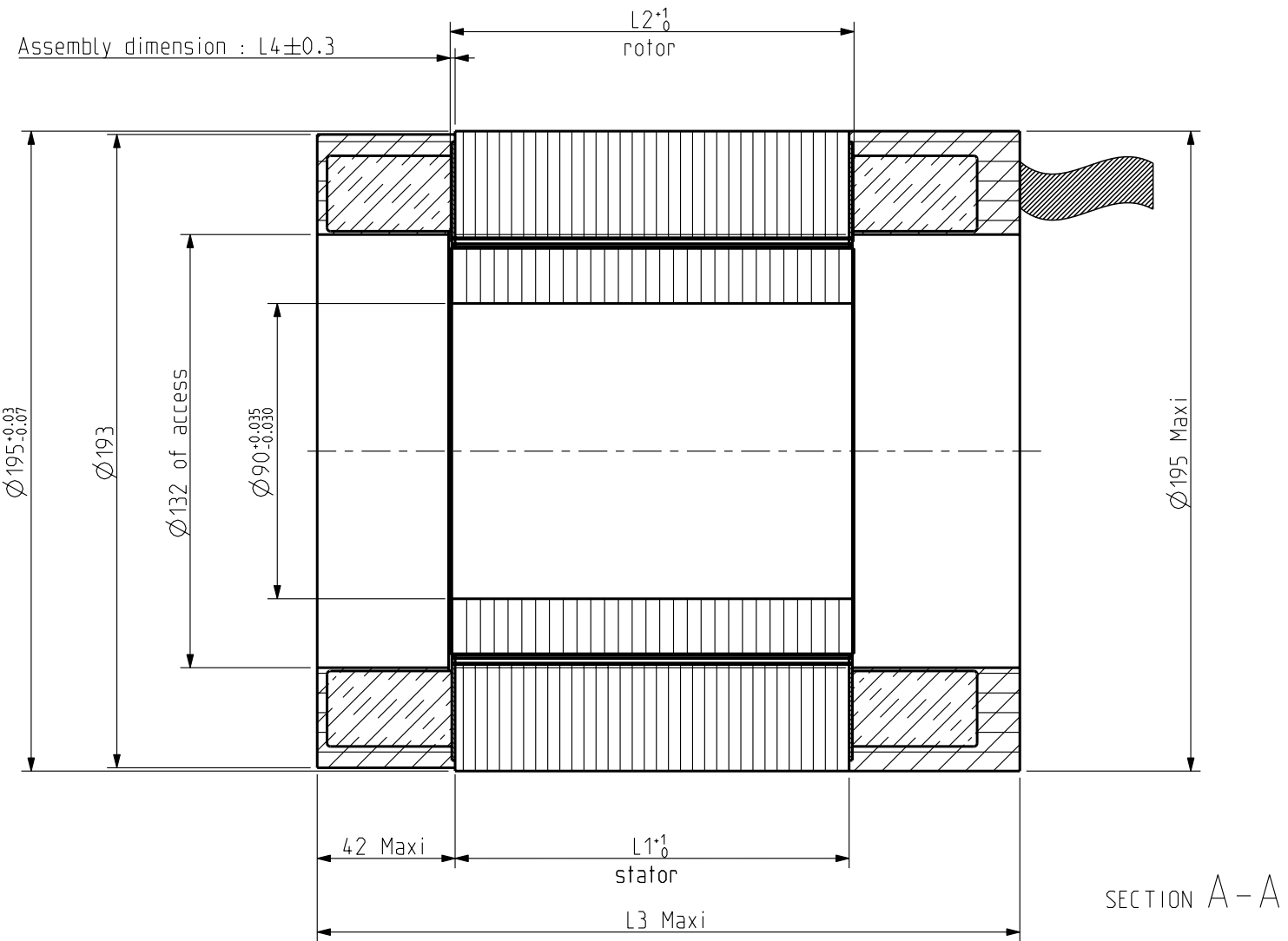
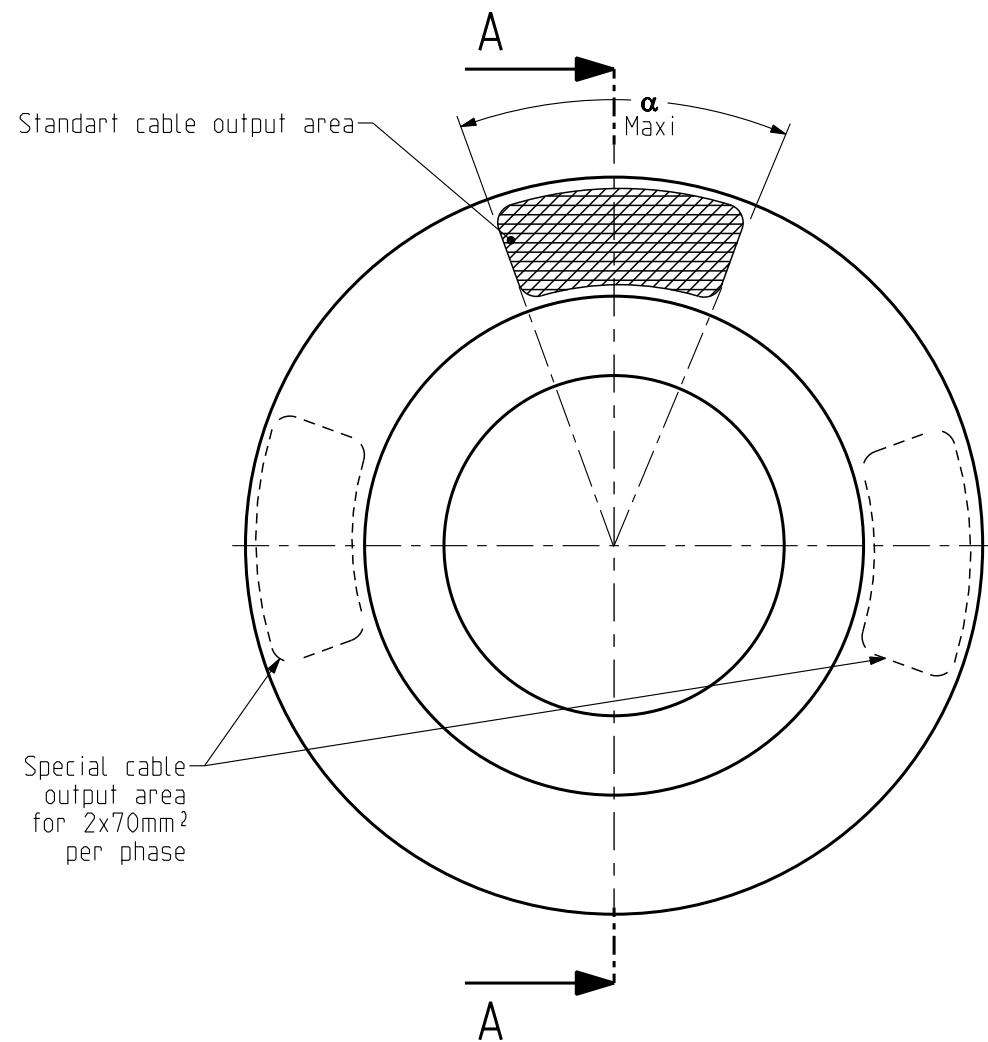
General tolerances	Drawn	15/06/10	OD	Visa					
DIN ISO 2768 mK	Modifications								

Scale
3:5

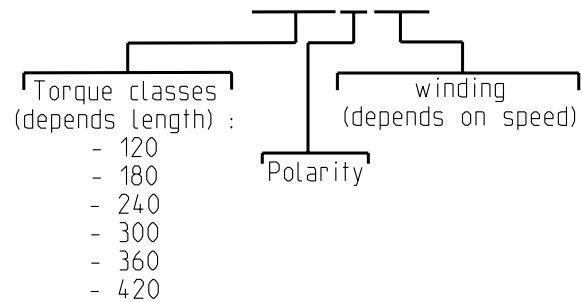
Parker
SSD Parvex
 8 Avenue du lac. BP249
 21007-DIJON cedex-FRANCE
 www.SSDdrives.com

HKW 155
 OUTLINE DRAWING

Format	F	E	S	G	I
A3	x				
344962E3000 -					



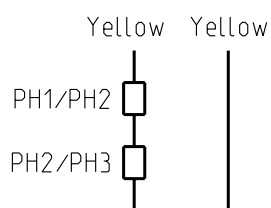
HKW 195 _ _ _ C _ _ R0000



POWER WIRES

Phase U : Black
Phase V : White
Phase W : Red

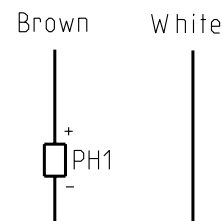
Cables length 1 m



PTC 150*
AWG20 wire

THERMAL SENSORS

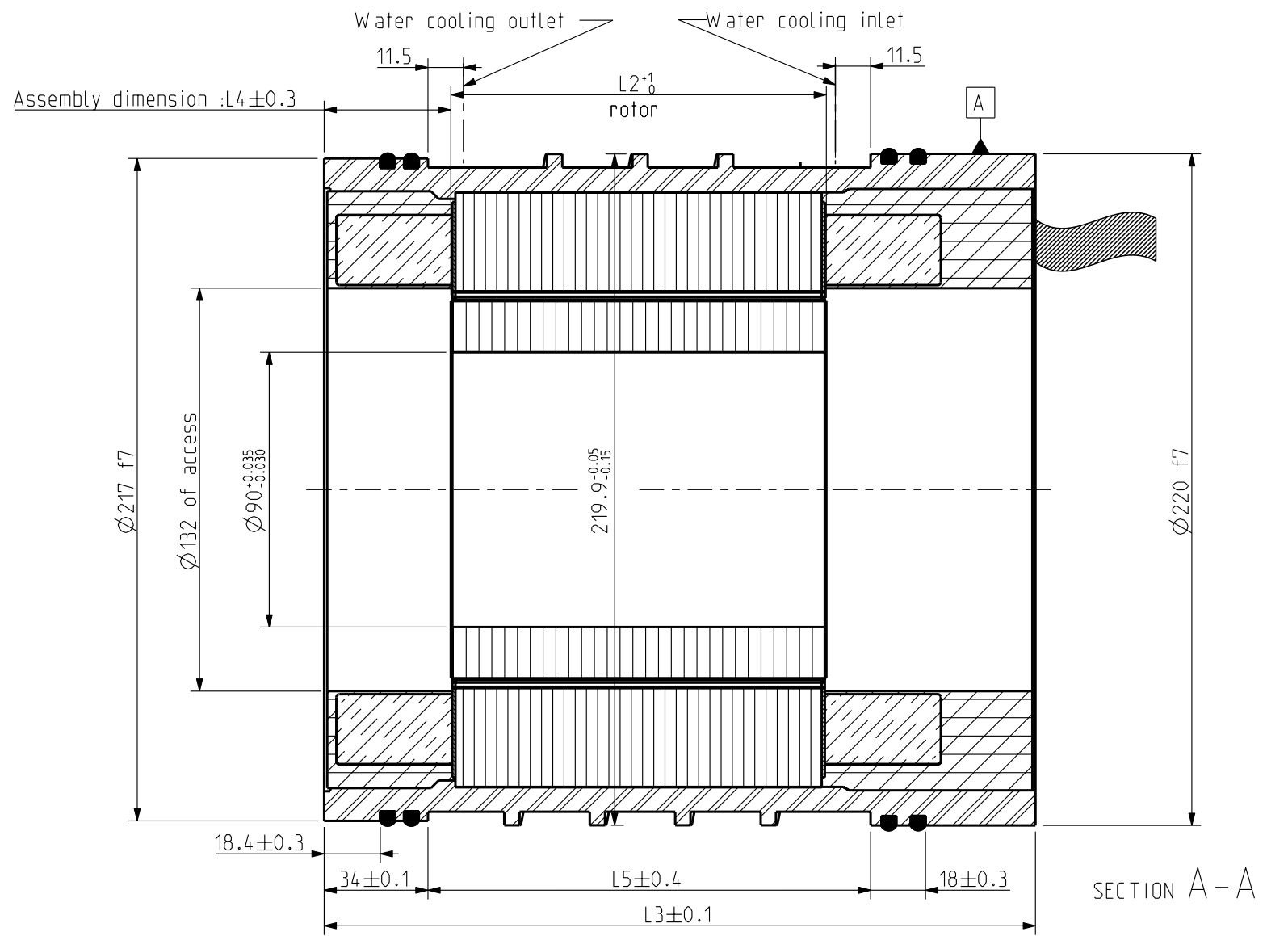
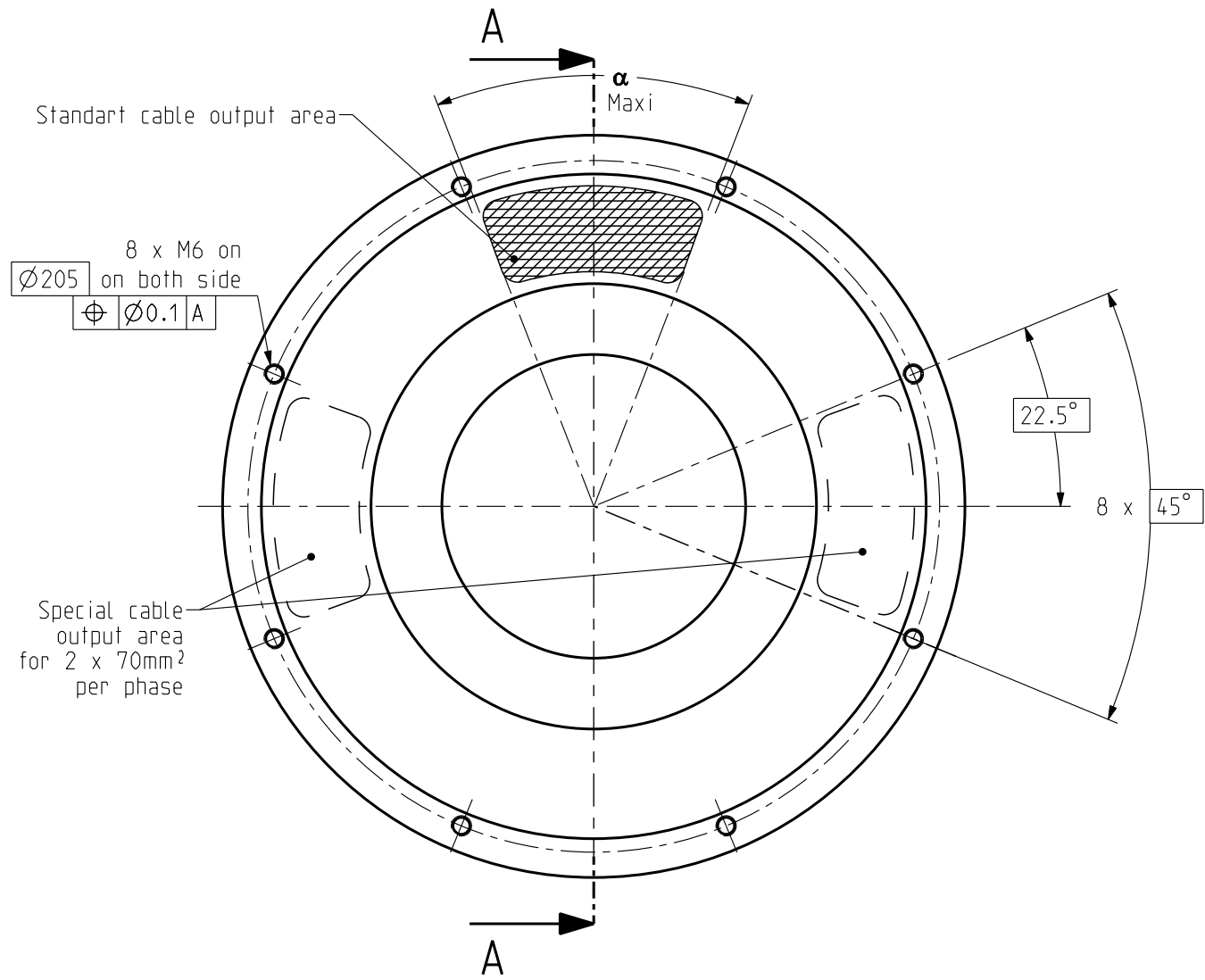
Cables length 1 m



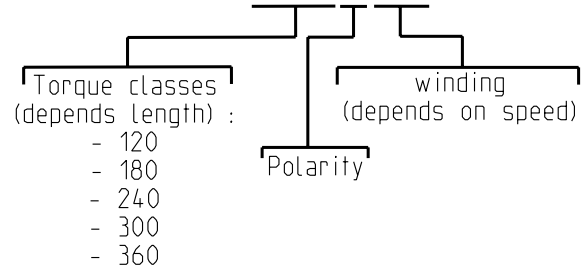
KTY 84_130
AWG26 wire

		Conductors section (mm ²)	L1	L2	L3	L4	α (degrees)	Weight		
HKW 195_120	CAV	4	120	123	214	1.5	25	28 kg		
	CAP	6					40			
	CAI	16					50		29 kg	
	CAF	25					231		30 kg	
	CAE	35					231		30 kg	
HKW 195_180	CAT	4	180	183	274	1.5	25	36 kg		
	CAP	6					40			
	CAM	10					50		37 kg	
	CAJ	16					70		38 kg	
	CAF	25					283		25	51 kg
	CAC	2 x 25					291		40	53 kg
	CAM	10					394		50	54 kg
HKW 195_300	CAJ	16	300	306	403	3	70	56 kg		
	CAF	25					3 x $\alpha = 40^\circ$ at 90°			
	CAE	35					411		50	53 kg
	CAC	2 x 25					464		70	54 kg
	CAX	2 x 70					524		3 x $\alpha = 40^\circ$ at 90°	64 kg
	CBX	2 x 70					584		4.5	3 x $\alpha = 40^\circ$ at 90°
HKW 195_360	CBX	2 x 70	360	366	524	3	3 x $\alpha = 40^\circ$ at 90°	64 kg		
HKW 195_420	CBX	2 x 70	420	429	584	4.5	3 x $\alpha = 40^\circ$ at 90°	72 kg		

This document is the property of PARVEX. Transmission as well as reproduction or copy is not permitted without written authorisation.	General tolerances	Drawn	27/10/09	OD	Visa		Service	FEDX	 SSD Parvex 8 Avenue du lac. BP249 21007 DIJON CEDEX	HKW 195		Format	Famille : ENC		
	DIN ISO 2768 mK	Modifications	C	AM23300 - 15/12/09 AH		F	AM23391 - 29/04/10 OD			Scale	OUTLINE DRAWING		A3		
			B	AM23286 - 06/11/09 OD		E	AM23381 - 13/04/10 OD			1:2	344963E0000		G		



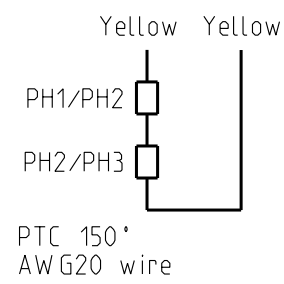
HKW 195 _ _ _ C _ _ _ R1000



POWER WIRES

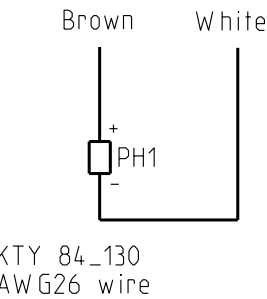
Phase U : Black
Phase V : White
Phase W : Red

Cables length 1 m



THERMAL SENSORS

Cables length 1 m



Conductors section (mm ²)	L2	L3	L4	L5	α (degrees)	Weight																					
							CAV	CAP	CAI	CAF	CAE	CAT	CAM	CAJ	CAF	CAC	CAM	CAJ	CAF	CAE	CAC	CAM	CAJ	CAF	CAE	CAC	CAX
HKW 195_120	123	216	41.5	145	25	32 kg																					
							HKW 195_180	183	276	41.5	205	25	40 kg														
														HKW 195_300	306	396	40	325	25	58 kg							
																					HKW 195_360	366	526	40	385	50	59 kg
HKW 195_360	366	526	40	385	3 x α = 40° at 90°	62 kg																					
HKW 195_360	366	526	40	385	3 x α = 40° at 90°	62 kg																					
HKW 195_360	366	526	40	385	3 x α = 40° at 90°	72 kg																					

This document is the property of PARVEX. Transmission as well as reproduction or copy is not permitted without written authorisation.

General tolerances
DIN ISO 2768 mK

Drawn	20/10/09	OD	Visa		Service	FEDX
Modifications	I	AM23391 - 29/04/10 OD	F	AM23357 - 09/03/10 OD		
	H	AM23370 - 29/03/10 OD	E	AM23315 - 13/01/10 AH		
	G	AM23362 - 16/03/10 OD	D	AM23300 - 15/12/09 AH		

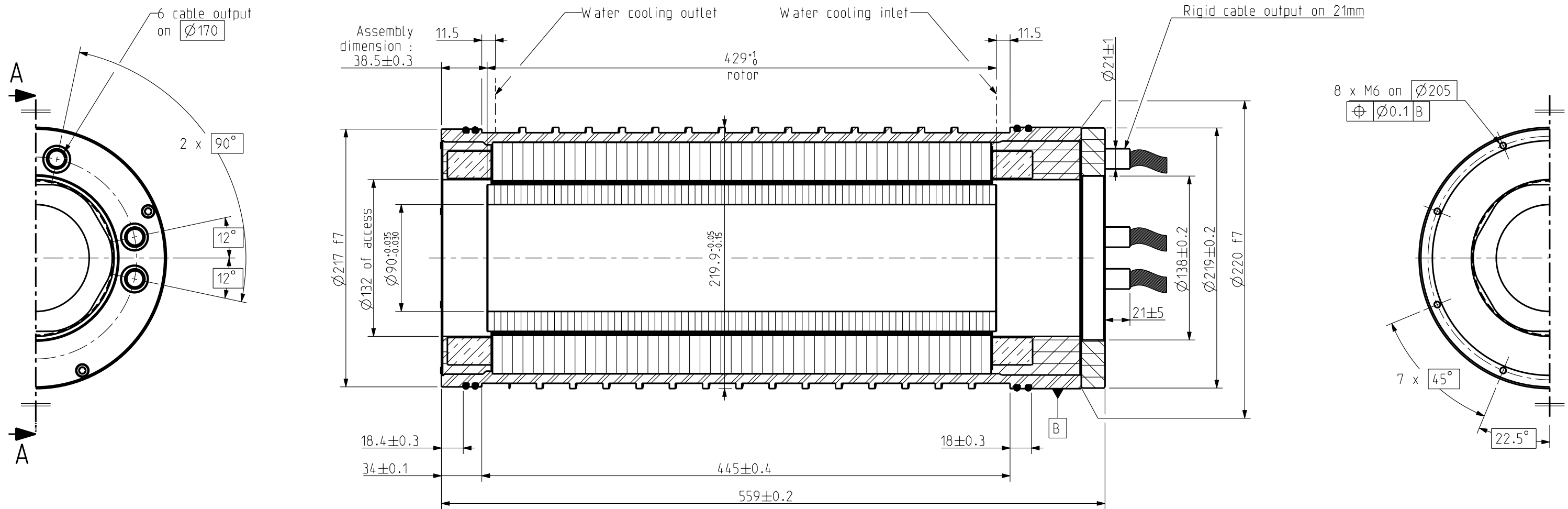
Scale
1:2

Parker
SSD Parvex
8 Avenue du lac. BP249
21007 DIJON CEDEX

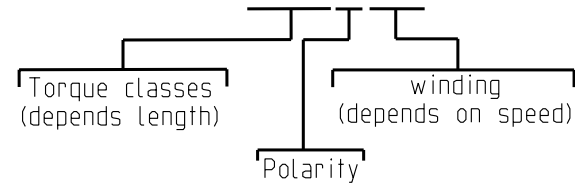
HKW 195
OUTLINE DRAWING

Format A3
Famille : ENC
Sheet : indice - folio : 1/2
344963E1000

SECTION A-A



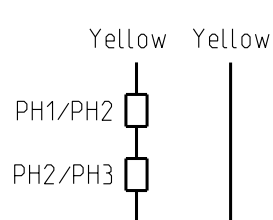
HKW 195_420CBXR1000



POWER WIRES

Phase U : Black
Phase V : White
Phase W : Red

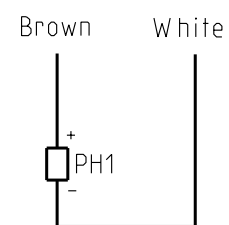
Cables length 1 m
Cross section : 70 mm²
Static bending radius >=60 mm
Ø of cable : 14.6±0.25 mm



PTC 150°
AWG20 wire

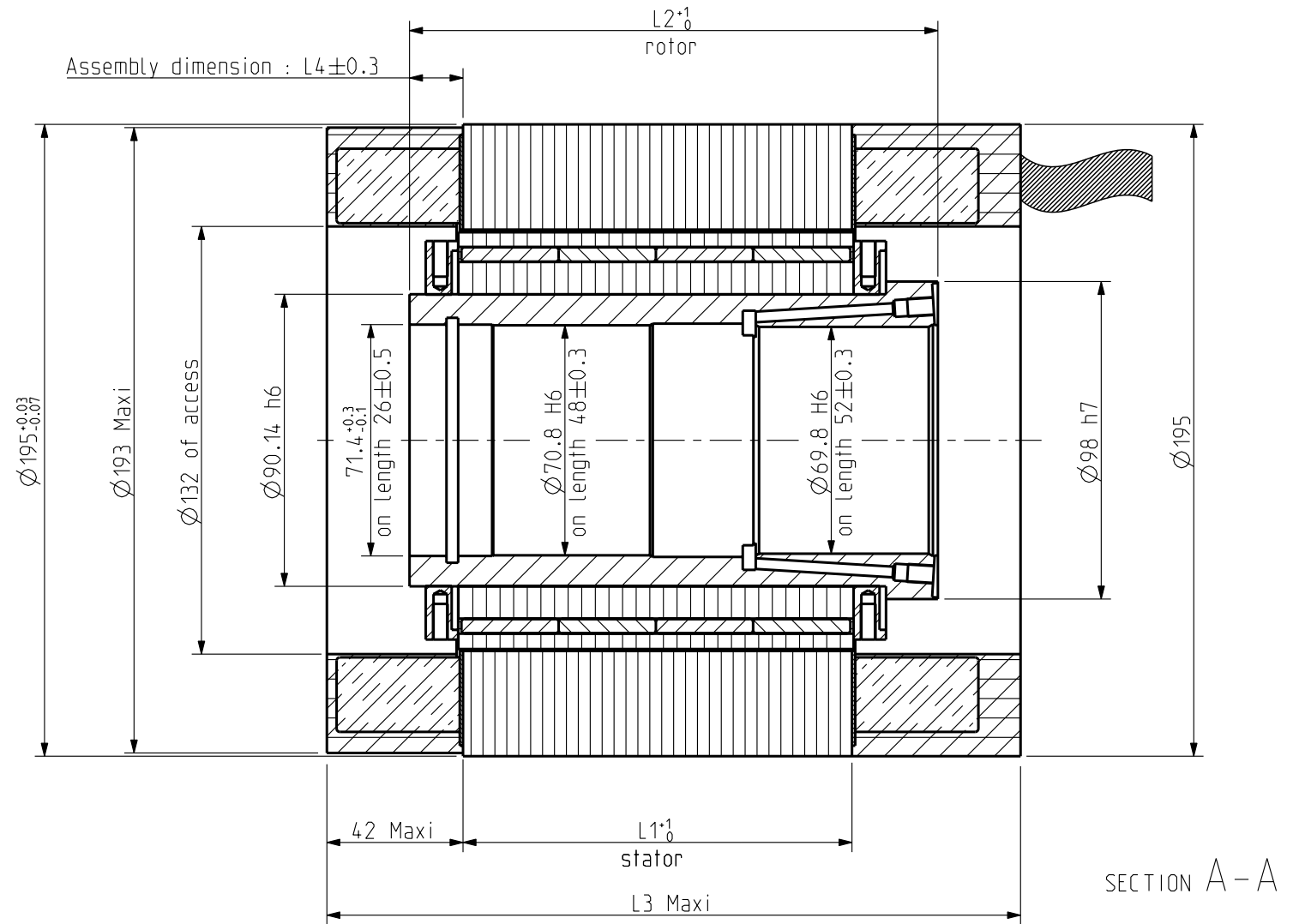
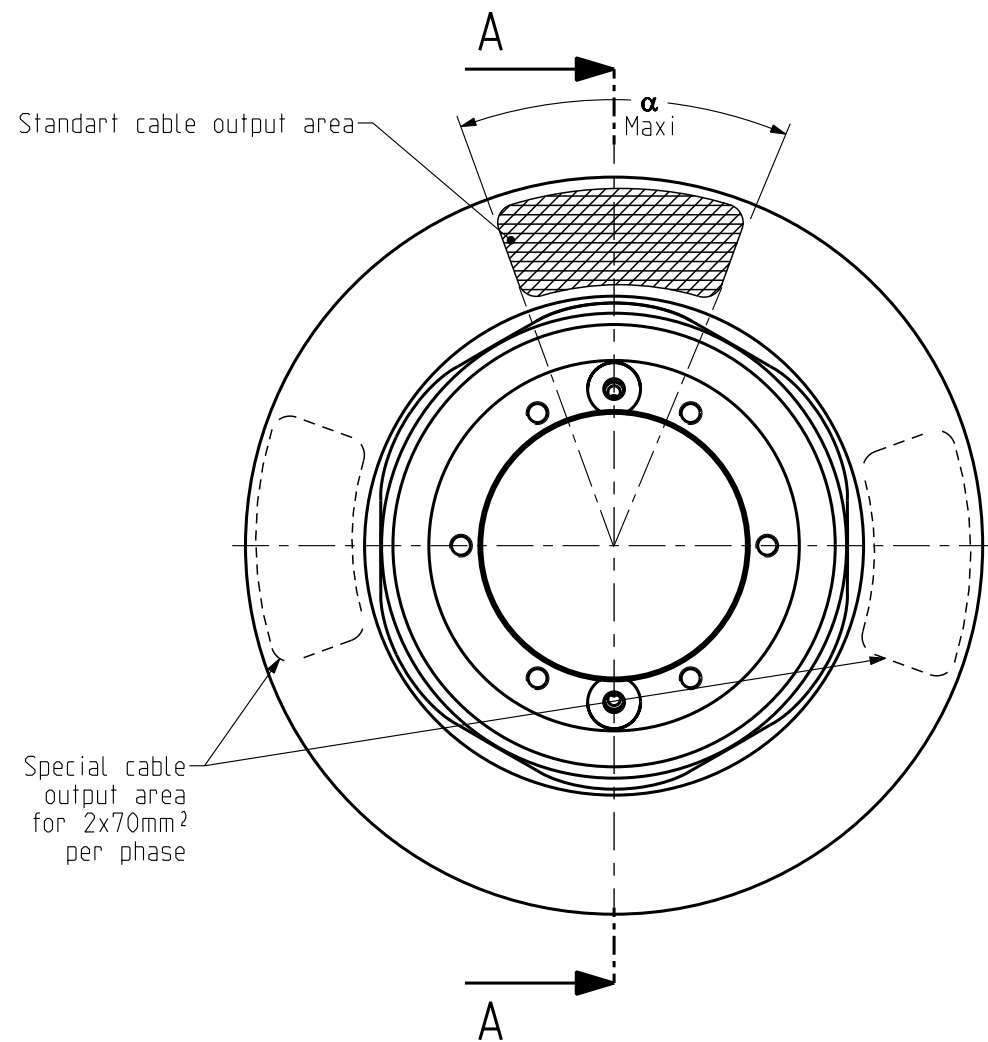
THERMAL SENSORS

Cables length 1 m



KTY 84_130
AWG26 wire

This document is the property of PARVEX. Transmission as well as reproduction or copy is not permitted without written authorisation.	Drawn	25/03/10	OD	Vise				 Scale 3:10	General Tolerances DIN ISO 2768 mK		
	Modifications								Version : 0+		
		I	AM23391 - 29/04/10	OD					Format A3	Sheet : indice - folio : 2/2	
	 SSD Parvex 8 Avenue du Lac. BP249 21007 DIJON CEDEX		HKW 195				OUTLINE DRAWING		344963E1000		I



HKW 195 _ _ _ C _ _ _ R2000

Torque classes (depends length) :

- 120
- 180
- 240
- 300
- 360
- 420

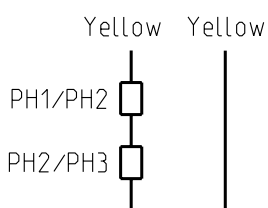
Polarity

winding (depends on speed)

POWER WIRES

Phase U : Black
Phase V : White
Phase W : Red

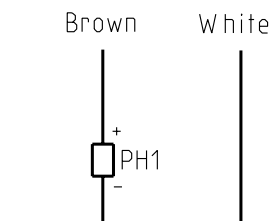
Cables length 1 m



PTC 150*
AWG20 wire

THERMAL SENSORS

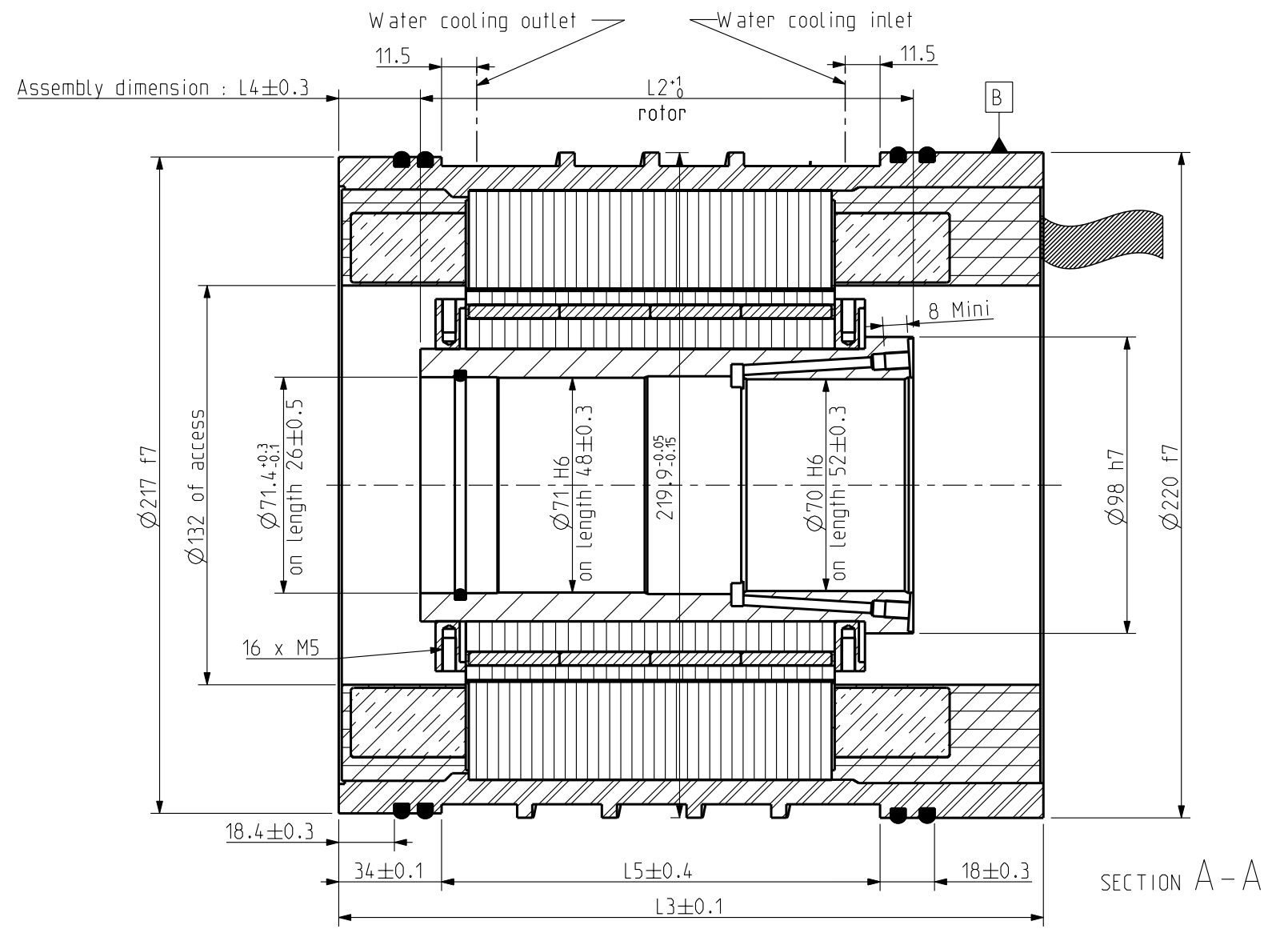
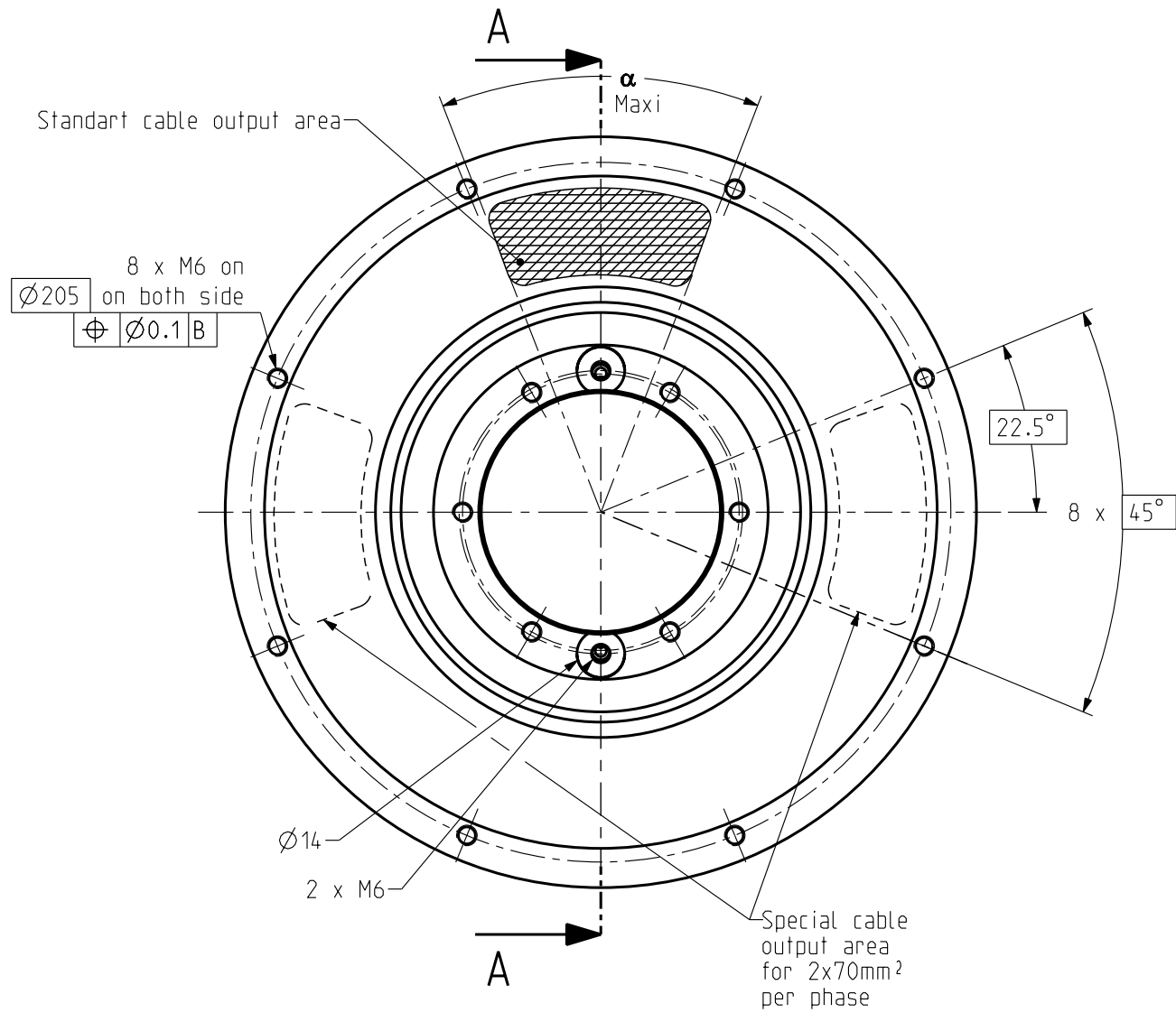
Cables length 1 m



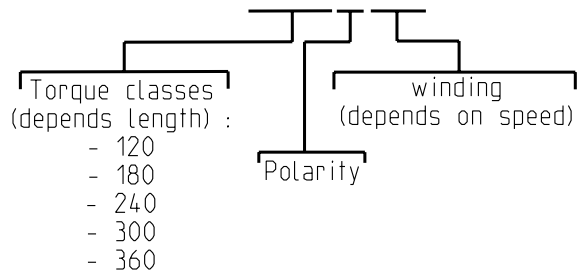
KTY 84_130
AWG26 wire

		Conductors section (mm ²)	L1	L2	L3	L4	α (degrees)	Weight		
HKW 195_120	CAV	4	120	163	214	16.5	25	30 kg		
	CAP	6					40			
	CAI	16			223		50	31 kg		
	CAF	25					231	32 kg		
	CAE	35								
HKW 195_180	CAT	4	180	224	274	16.5	25	38 kg		
	CAP	6					40			
	CAM	10			283		50	39 kg		
	CAJ	16					70	40 kg		
	CAF	25								
	CAC	2 x 25			394		403	17.5	25	53 kg
	CAM	10							40	
CAJ	16	50	55 kg							
CAF	25	70	56 kg							
HKW 195_300	CAE	35	300	346	411	17.5	50	58 kg		
	CAC	2 x 25					70			
	CAX	2 x 70					464	3 x $\alpha = 40^\circ$ at 90°		
	CBX	2 x 70								
	CBX	2 x 70								
HKW 195_360	CBX	2 x 70	360	406	524	17	3 x $\alpha = 40^\circ$ at 90°	66 kg		
HKW 195_420	CBX	2 x 70	420	469	584	18.5	3 x $\alpha = 40^\circ$ at 90°	75 kg		

This document is the property of PARVEX. Transmission as well as reproduction or copy is not permitted without written authorisation.	General tolerances	Drawn	27/10/09	OD	Visa		Service	FEDX	 SSD Parvex 8 Avenue du lac. BP249 21007 DIJON CEDEX	Format	Famille : ENC	
	DIN ISO 2768 mK	Modifications						Scale		1:2	HKW 195	A3
		A	AM23480 - 08/10/10 OD							OUTLINE DRAWING	344963E2000 A	



HKW 195_C_R3000



POWER WIRES	THERMAL SENSORS
Phase U : Black Phase V : White Phase W : Red	Cables length 1 m
Cables length 1 m	
Yellow Yellow PH1/PH2 PH2/PH3 PTC 150° AWG20 wire	Brown White PH1 KTY 84_130 AWG26 wire

Conductors section (mm ²)	L2	L3	L4	L5	α (degrees)	Weight	
							HKW 195_120
CAV 4	163	216	27	145	25	36 kg	
CAP 6							
CAI 16					225		
CAF 25						50	37 kg
CAE 35	224	276	26.5	205	25	45 kg	
CAT 4							
CAM 6					285		
CAJ 16						50	47 kg
CAF 25	346	396	25.5	325	70	48 kg	
CAC 2 x 25							293
CAM 10					405	25	
CAJ 16							40
CAF 25	407	466	24.5	385	50	67 kg	
CAE 35							413
CAC 2 x 25					466	3 x $\alpha = 40^\circ$ at 90°	
CAX 2 x 70							70
CBX 2 x 70					3 x $\alpha = 40^\circ$ at 90°		

This document is the property of PARVEX. Transmission as well as reproduction or copy is not permitted without written authorisation.

General tolerances
DIN ISO 2768 mK

Drawn	25/11/09	OD	Visa		Service	FEDX
Modifications	C	AM23323 - 21/01/10 OD			E	AM23391 - 29/04/10 OD
	B	AM23315 - 13/01/10 AH			D	AM23381 - 13/04/10 OD
	A	AM23300 - 01/12/09 OD				

Scale: 1:2

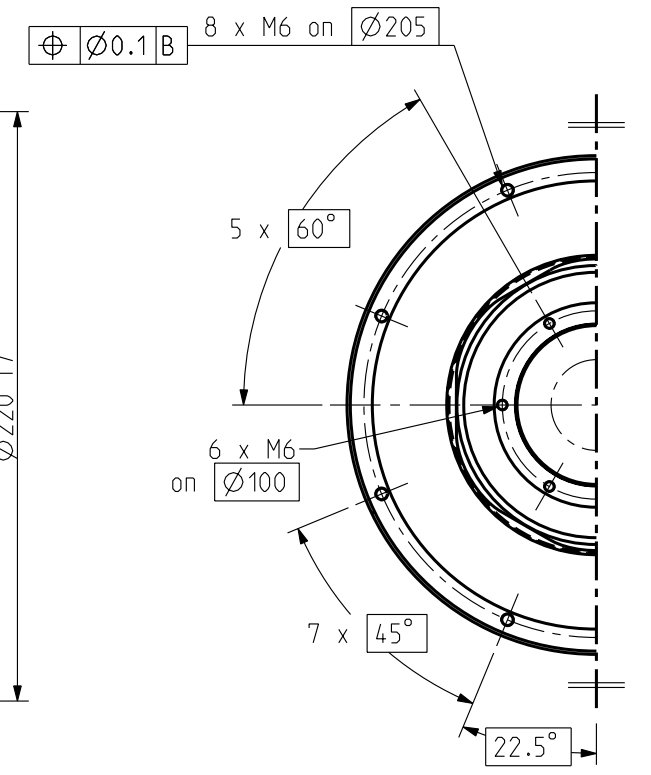
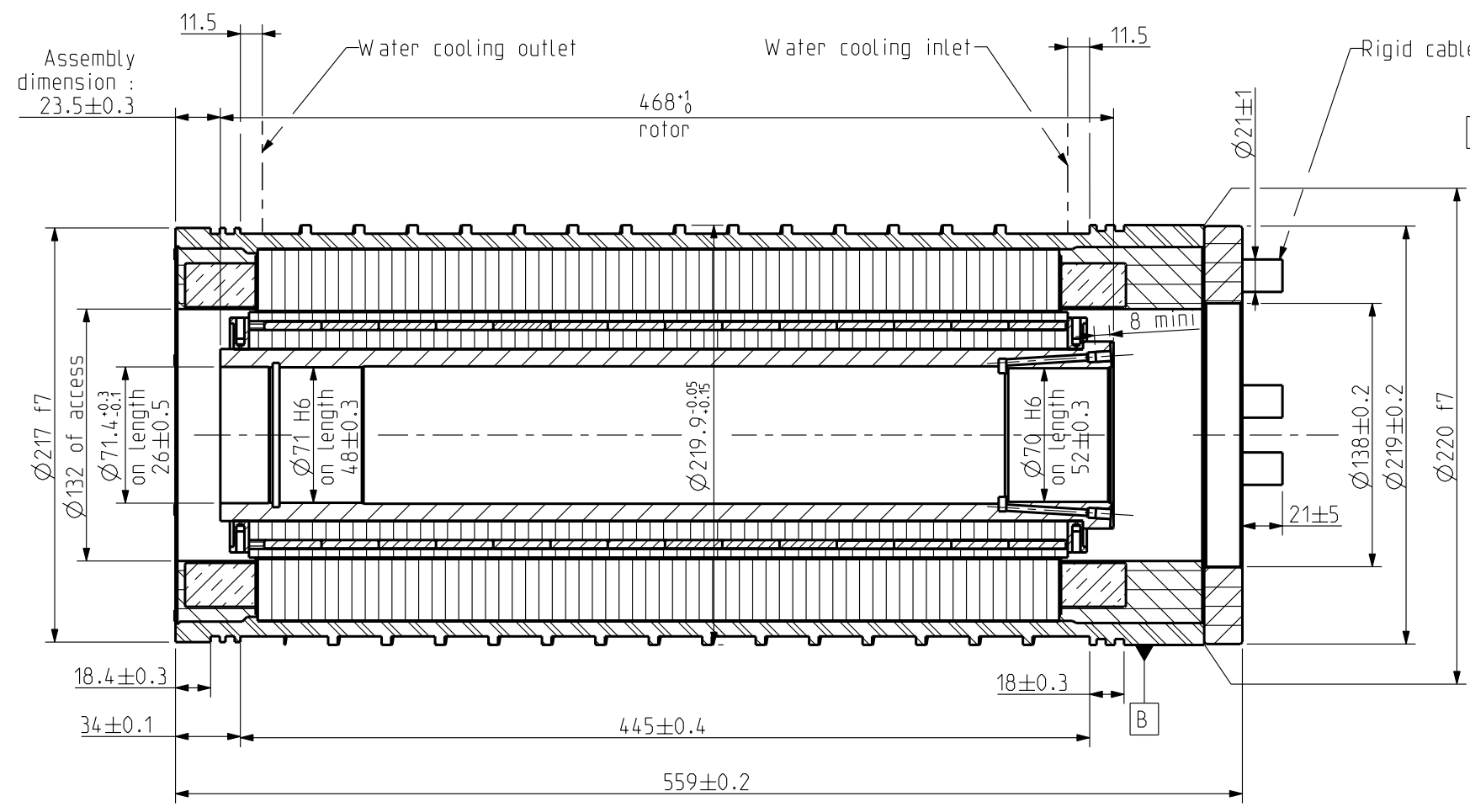
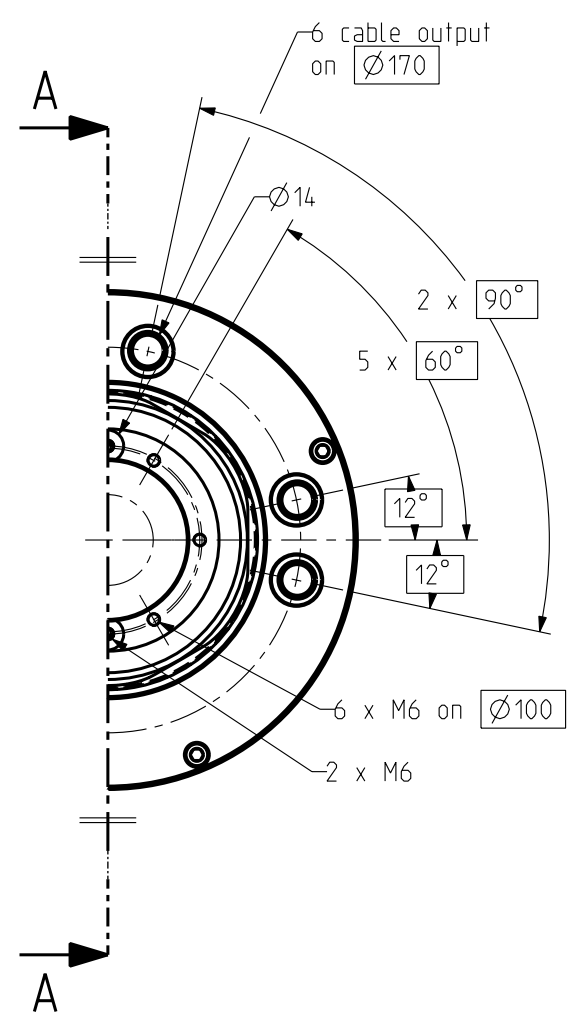
Parker
SSD Parvex
8 Avenue du lac. BP249
21007 DIJON CEDEX

HKW 195
OUTLINE DRAWING

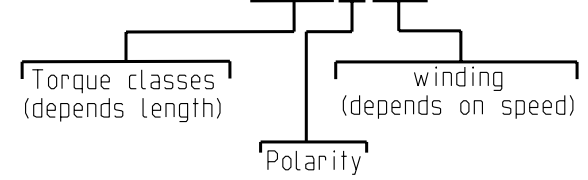
Format: A3
Famille: ENC
Sheet: indice - folio: 1/2
344963E3000 E

+ Weight : 90kg

SECTION A-A

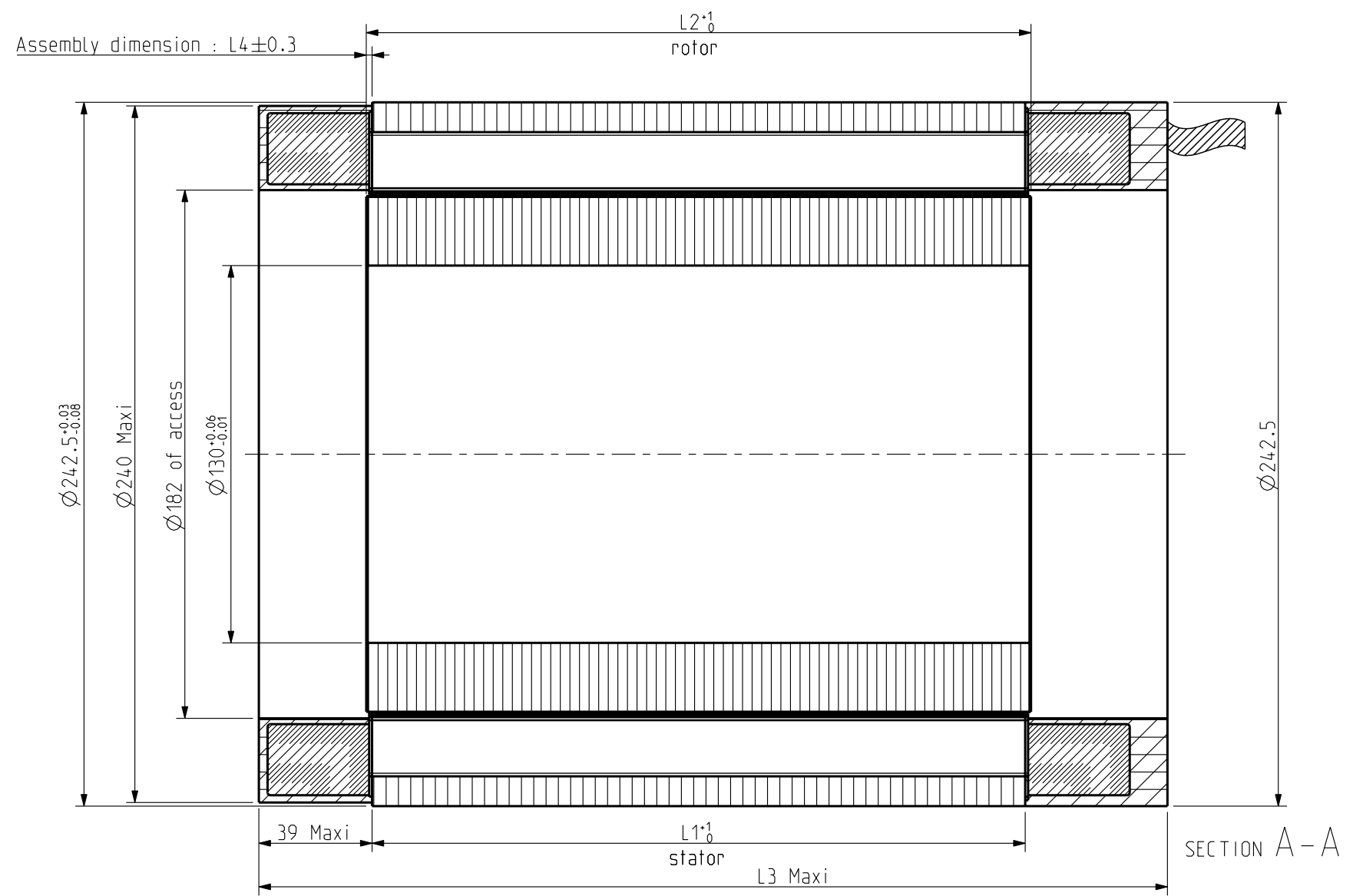
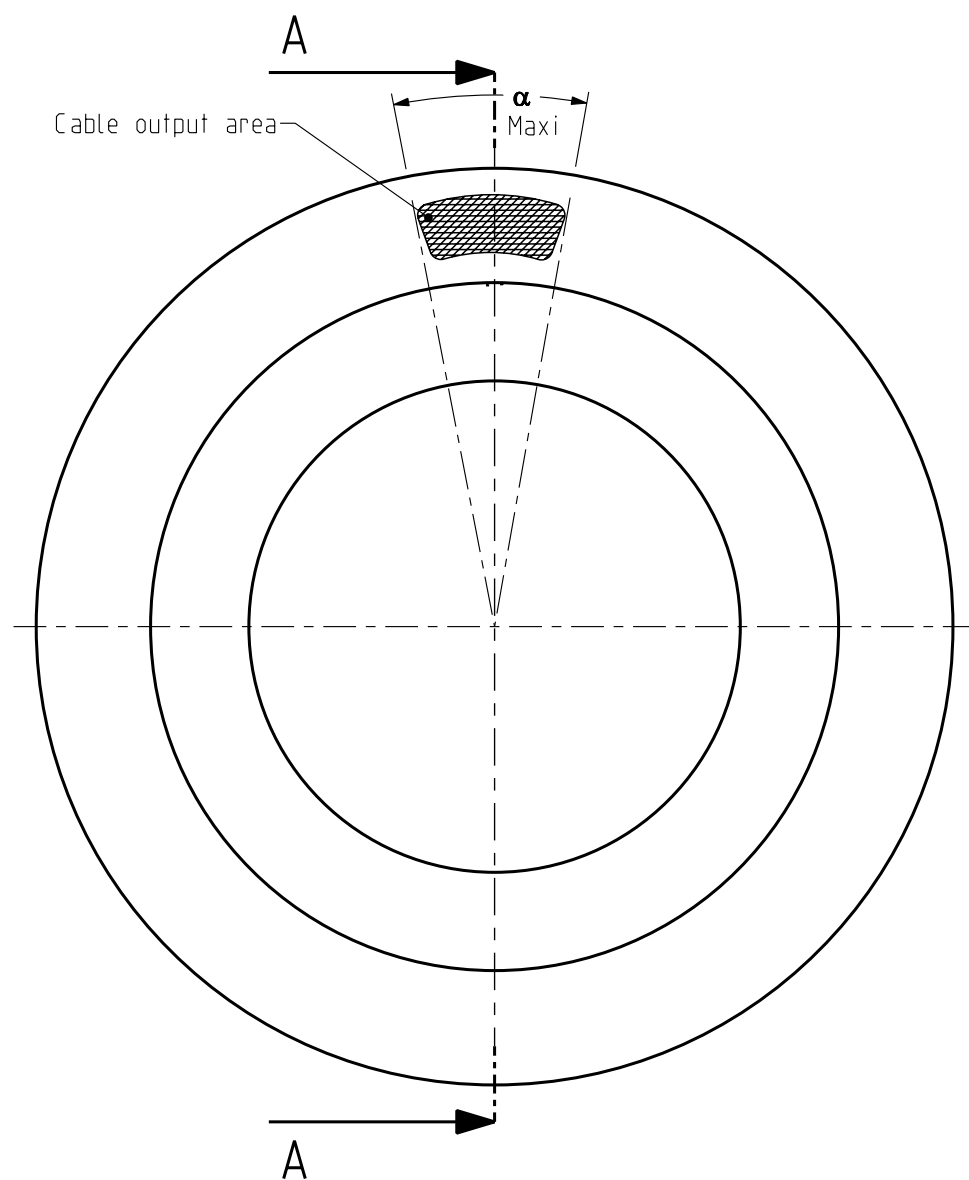


HKW 195_420CBXR3000

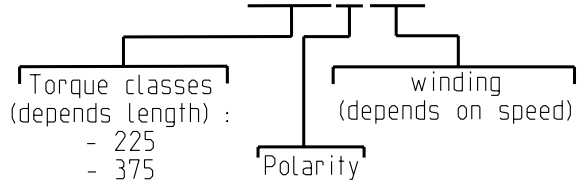


<p><u>POWER WIRES</u></p> <p>Phase U : Black Phase V : White Phase W : Red</p> <p>Cables length 1 m Cross section : 70 mm² Static bending radius ≥ 60 mm \varnothing of cable : 14.6 ± 0.25 mm</p>	<p><u>THERMAL SENSORS</u></p> <p>Cables length 1 m</p>
<p>Yellow Yellow</p> <p>PH1/PH2</p> <p>PH2/PH3</p> <p>PTC 150° AWG20 wire</p>	<p>Brown White</p> <p>PH1</p> <p>KTY 84_130 AWG26 wire</p>

<p>This document is the property of PARVEX. Transmission as well as reproduction or copy is not permitted without written authorisation.</p>	<p>Drawn 16/04/10 OD Vise</p>	<p>Scale 3:10</p>	<p>General Tolerances DIN ISO 2768 mK</p>
	<p>Modifications E AM23391 - 29/04/10 OD</p>		
	<p>Parker SSD Parvex 8 Avenue du Lac. BP249 21007 DIJON CEDEX</p>		<p>Format A3</p>
<p>HKW 195 OUTLINE DRAWING</p>			<p>344963E3000 E</p>



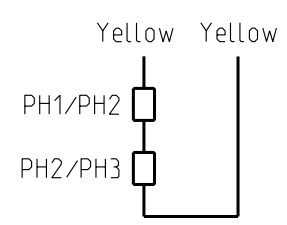
HKW 242 --- D --- R0000



POWER WIRES

Phase U : Black
Phase V : White
Phase W : Red

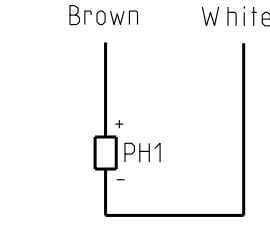
Cables length 1 m



PTC 150°
AWG20 wire

THERMAL SENSORS

Cables length 1 m



KTY 84_130
AWG26 wire

		Conductors section (mm ²)	L1	L2	L3	L4	α (degrees)	Weight	
HKW 242_225	DAN	4	225	229	313	2	25	63 kg	
	DAF	16					40		
	DAD	25					50		65 kg
	DAC	35							
	DAB	50							
HKW 242_375	DAF	16	375	381	463	3	40	94 kg	
	DAD	25					50		95 kg
	DAC	35							
	DAB	2 x 25					70		96 kg
	DAA	2 x 70							

This document is the property of PARVEX. Transmission as well as reproduction or copy is not permitted without written authorisation.

General tolerances
DIN ISO 2768 mK

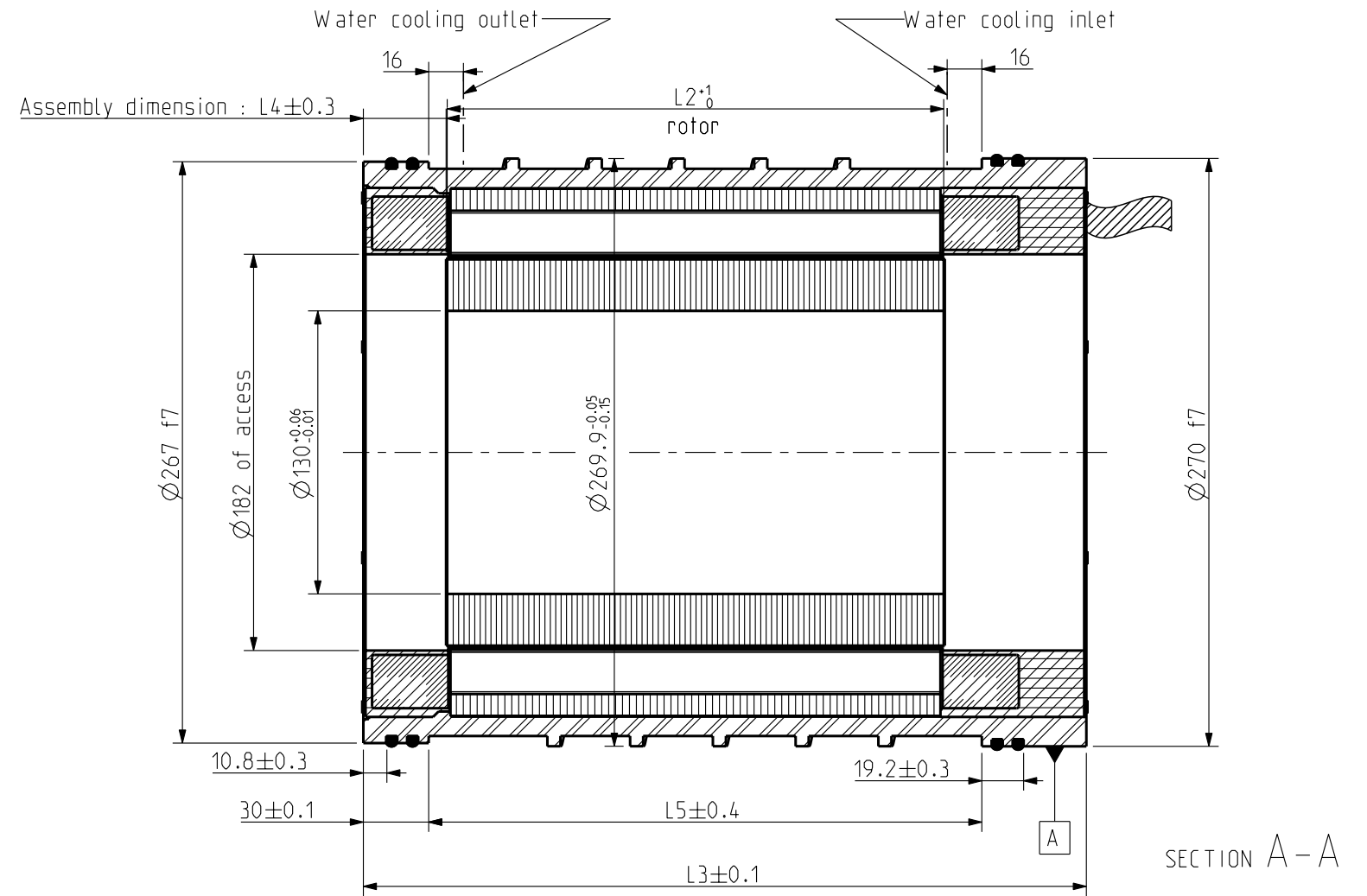
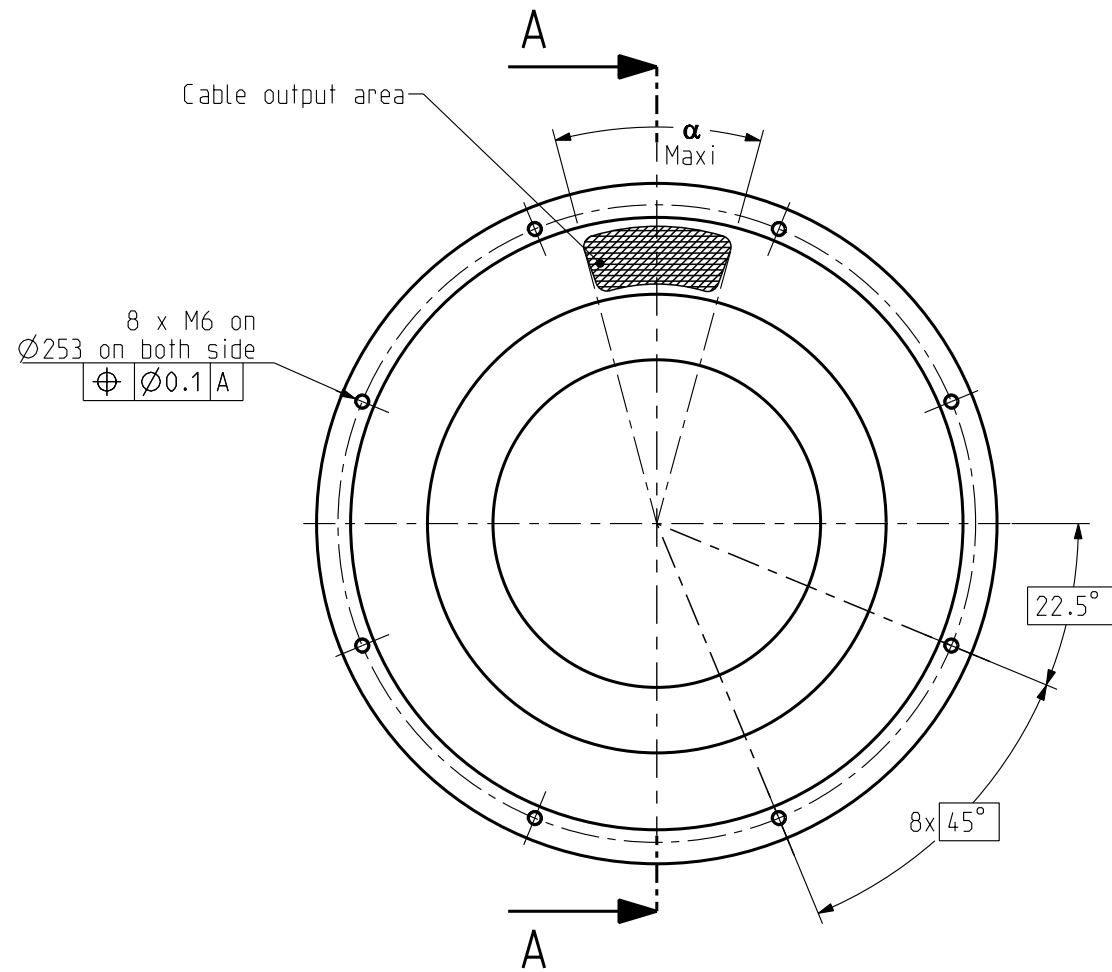
Drawn	26/10/09	OD	Visa					
Modifications	C	AM23323 - 21/01/10 OD						
	B	AM23292 - 17/11/09 OD		E	AM23480 - 08/10/10 OD			
	A	AM23287 - 11/11/09 OD		D	AM23357 - 09/03/10 OD			

Scale
1:2

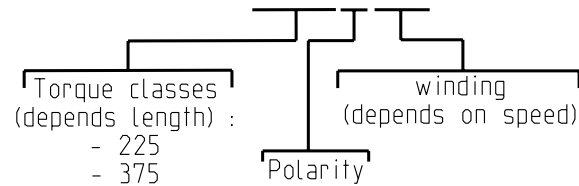


HKW 242
OUTLINE DRAWING

Format A3
344964E0000 E



HKW 242 --- D --- R1000



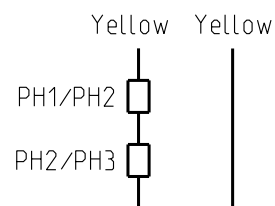
POWER WIRES

Phase U : Black
Phase V : White
Phase W : Red

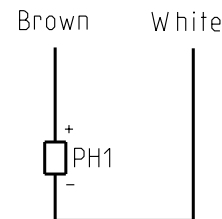
Cables length 1 m

THERMAL SENSORS

Cables length 1 m



PTC 150°
AWG20 wire



KTY 84_130
AWG26 wire

Conductors section (mm ²)	L1	L2	L3	L4	L5	α (degrees)	Weight
DAN 4	227	229	315	38	254	25	70 kg
DAF 16						40	
DAD 25						50	72 kg
DAC 35						60	73 kg
DAB 50						70	74 kg
DAF 16	377	381	465	37	404	40	103 kg
DAD 25						50	105 kg
DAC 35						70	107 kg
DAB 2 x 25						70	106 kg
DAA 2 x 70						70	110 kg

This document is the property of PARVEX. Transmission as well as reproduction or copy is not permitted without written authorisation.

General tolerances
DIN ISO 2768 mK

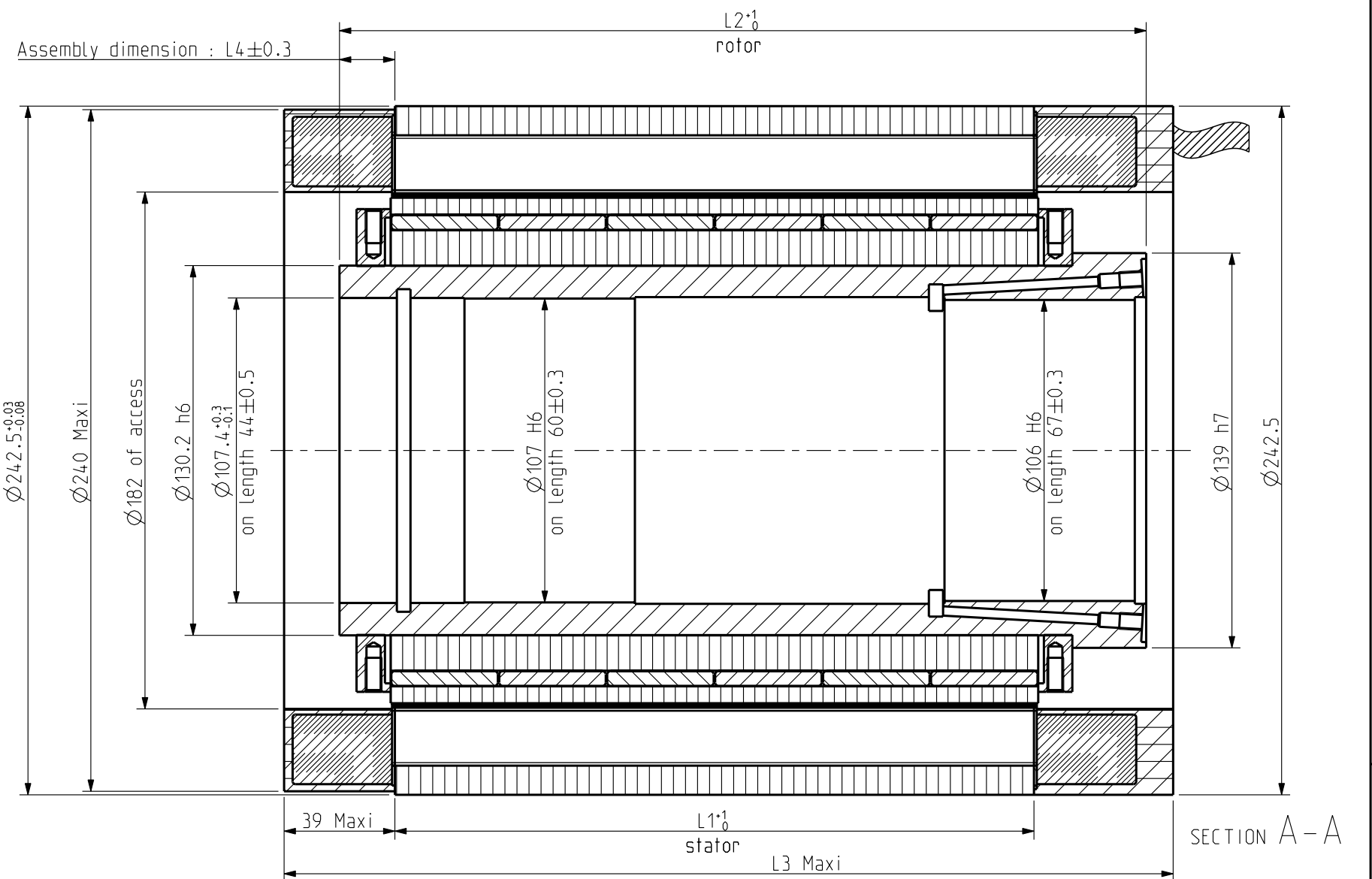
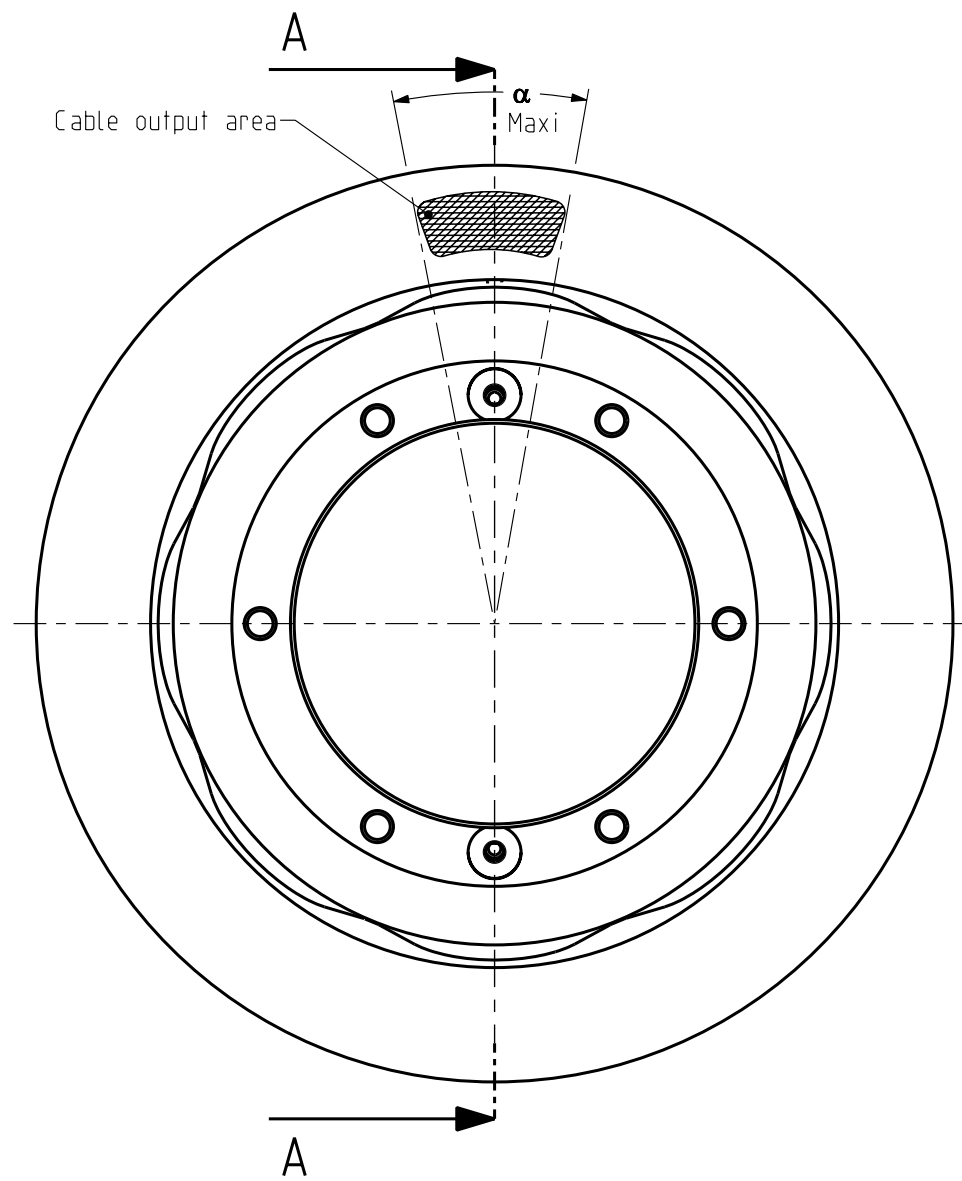
Drawn	23/10/09	OD	Visa				
Modifications	C	AM23323 - 21/01/10 OD					
	B	AM23292 - 17/11/09 OD					
	A	AM23287 - 11/11/09 OD					
		D	AM23357 - 09/03/10 OD				

Scale
1:3

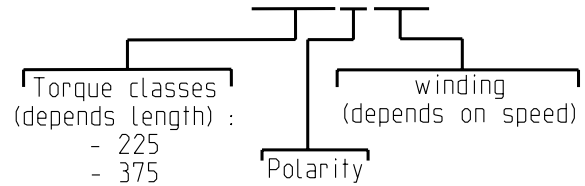
Parker
SSD Parvex
8 Avenue du lac. BP249
21007-DIJON cedex-FRANCE
www.parvex.com

HKW 242
OUTLINE DRAWING

Format A3
F E S G I
x
344964E1000 D



HKW 242 ___ D ___ R2000



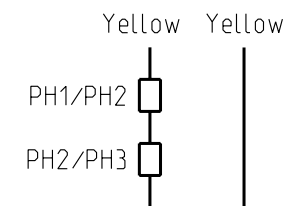
POWER WIRES

Phase U : Black
Phase V : White
Phase W : Red

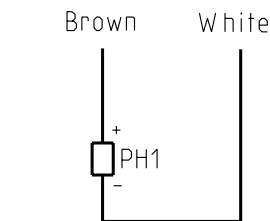
Cables length 1 m

THERMAL SENSORS

Cables length 1 m



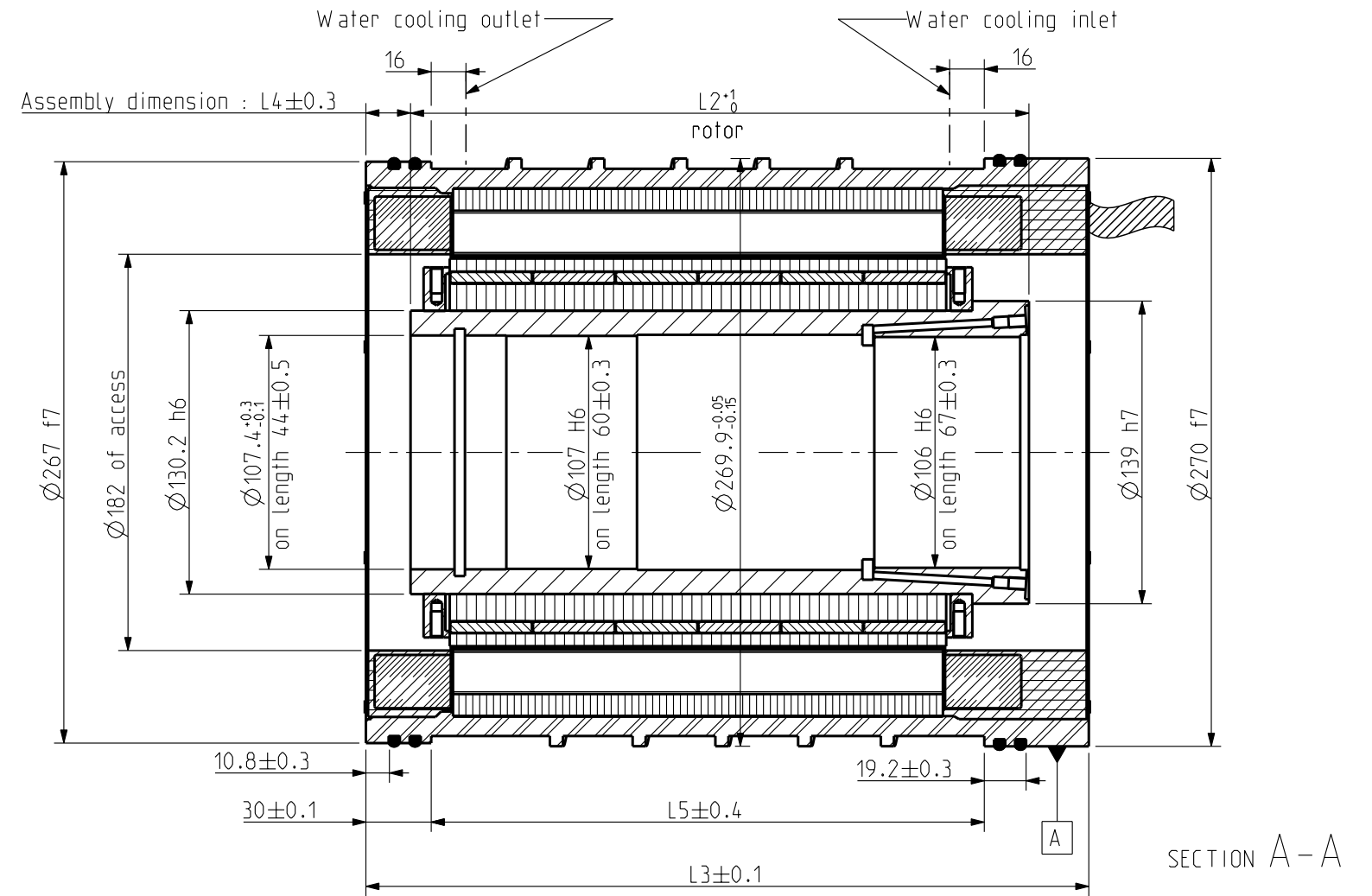
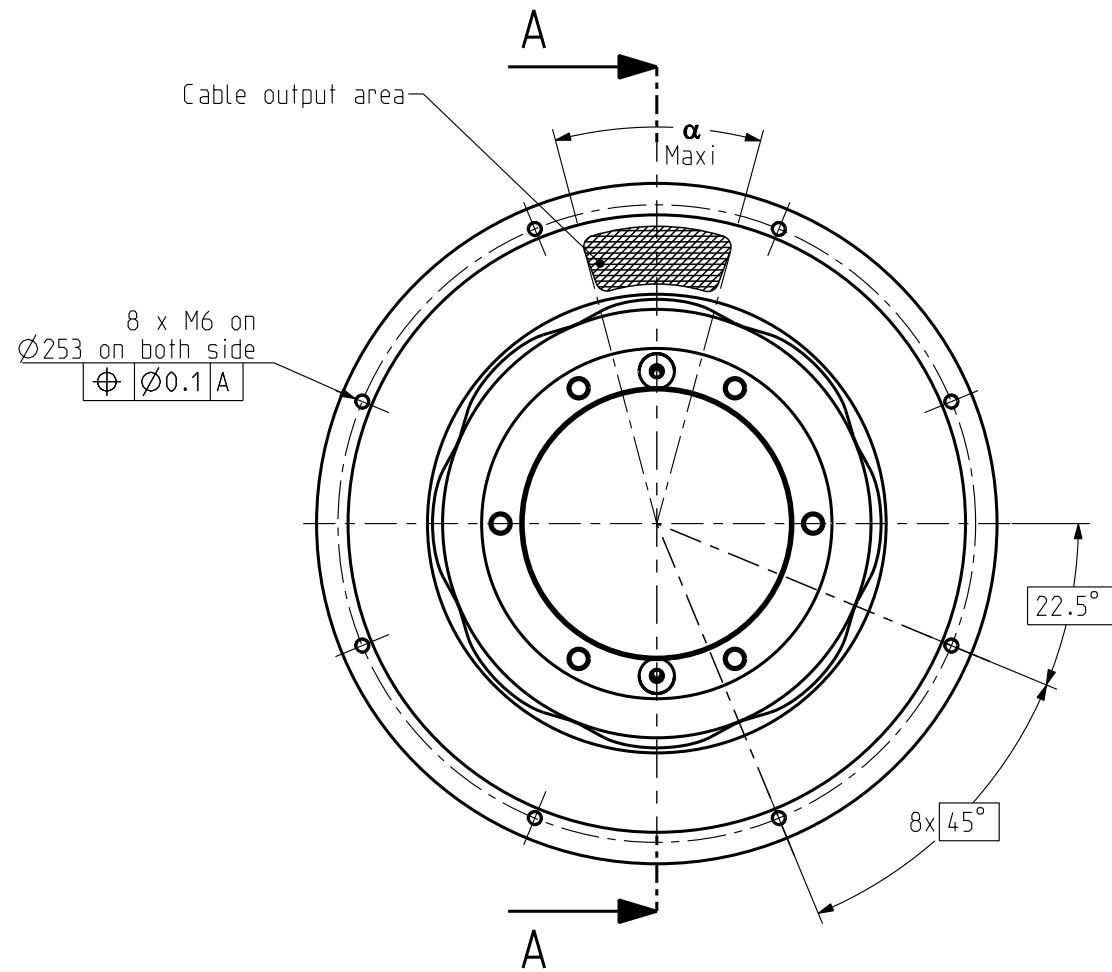
PTC 150°
AWG20 wire



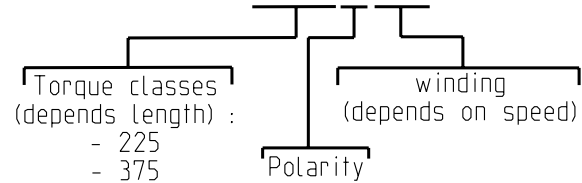
KTY 84_130
AWG26 wire

Conductors section (mm ²)	L1	L2	L3	L4	α (degrees)	Weight
DAN 4	225	284	313	19.5	25	70 kg
DAF 16						
DAD 25					50	74 kg
DAC 35						
DAB 50						
DAF 16	375	434	463	18.5	40	104 kg
DAD 25						
DAC 35					50	107 kg
DAB 2 x 25						
DAA 2 x 70						

This document is the property of PARVEX. Transmission as well as reproduction or copy is not permitted without written authorisation.	General tolerances DIN ISO 2768 mK	Drawn: 01/07/10 OD Visa	Scale: 1:2	 SSD Parvex 8 Avenue du lac. BP249 21007-DIJON cedex-FRANCE www.parvex.com	HKW 242 OUTLINE DRAWING	Format: A3 F E S G I x	344964E2000	A
	Modifications: A AM23480 - 08/10/10 OD	Scale: 1:2	Format: A3	344964E2000	A			



HKW 242 _ _ _ D _ _ _ R3000



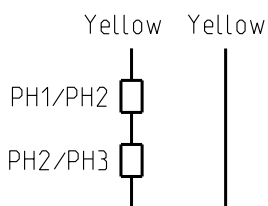
POWER WIRES

Phase U : Black
 Phase V : White
 Phase W : Red

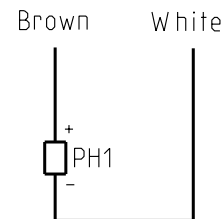
Cables length 1 m

THERMAL SENSORS

Cables length 1 m



PTC 150°
 AWG20 wire



KTY 84_130
 AWG26 wire

Conductors section (mm ²)	L1	L2	L3	L4	L5	α (degrees)	Weight
DAN 4	227	284	315	20.5	254	25	77 kg
DAF 16						40	
DAD 25						50	79 kg
DAC 35						60	80 kg
DAB 50						60	81 kg
DAF 16	377	434	465	21.5	404	40	113 kg
DAD 25						50	115 kg
DAC 35						70	117 kg
DAB 2 x 25						70	116 kg
DAA 2 x 70						70	120 kg

This document is the property of PARVEX. Transmission as well as reproduction or copy is not permitted without written authorisation.

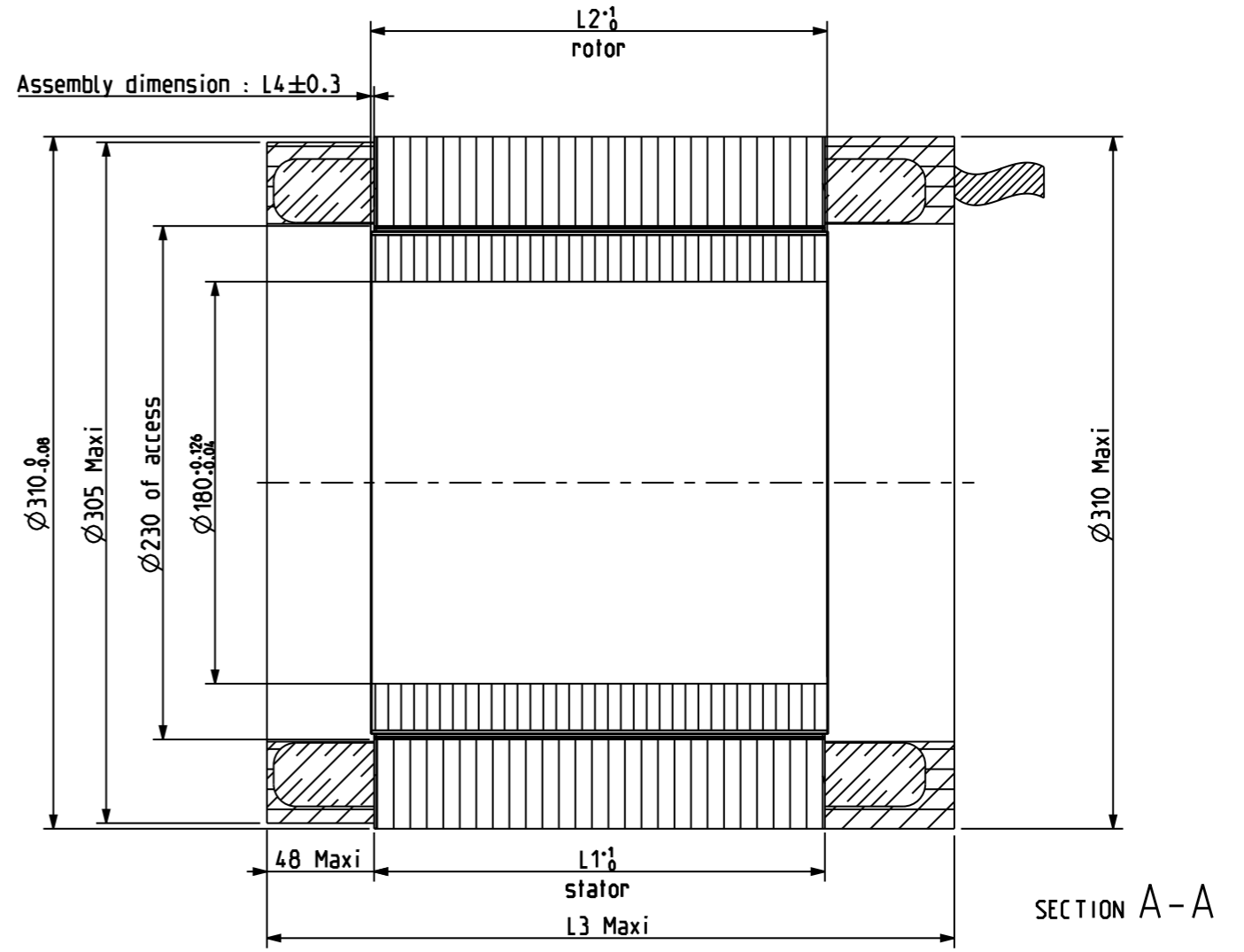
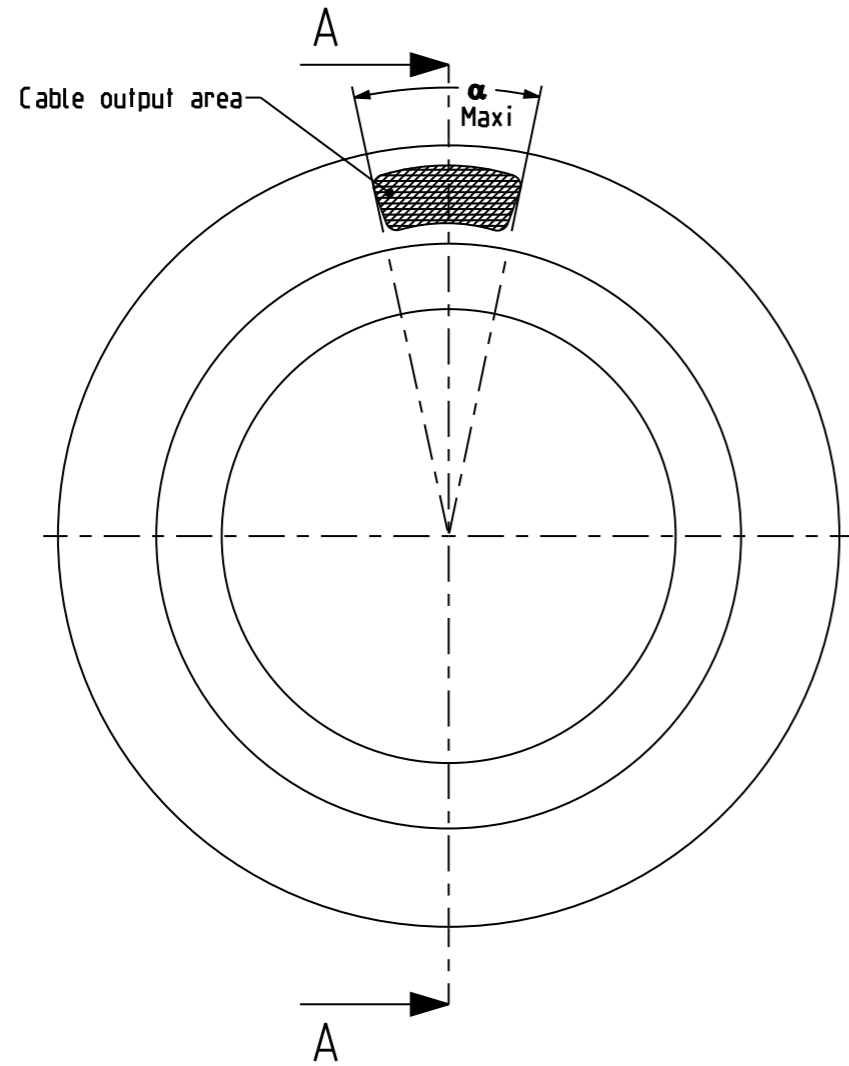
General tolerances	Drawn	02/07/10	OD	Visa					
DIN ISO 2768 mK	Modifications								

Scale 1:3

Parker
SSD Parvex
 8 Avenue du lac. BP249
 21007-DIJON cedex-FRANCE
 www.parvex.com

HKW 242
 OUTLINE DRAWING

Format	F	E	S	G	I
A3	x				
344964E3000 -					



HKW 310 _ _ _ H _ _ R0000

Torque classes
(depends length) :

- 200
- 300
- 400
- 500

winding
(depends on speed)

Polarity

POWER WIRES

Phase U : Black
Phase V : White
Phase W : Red

Cables length 1 m

THERMAL SENSORS

Cables length 1 m

Yellow Yellow

PH1/PH2

PH2/PH3

PTC 150°
AWG20 wire

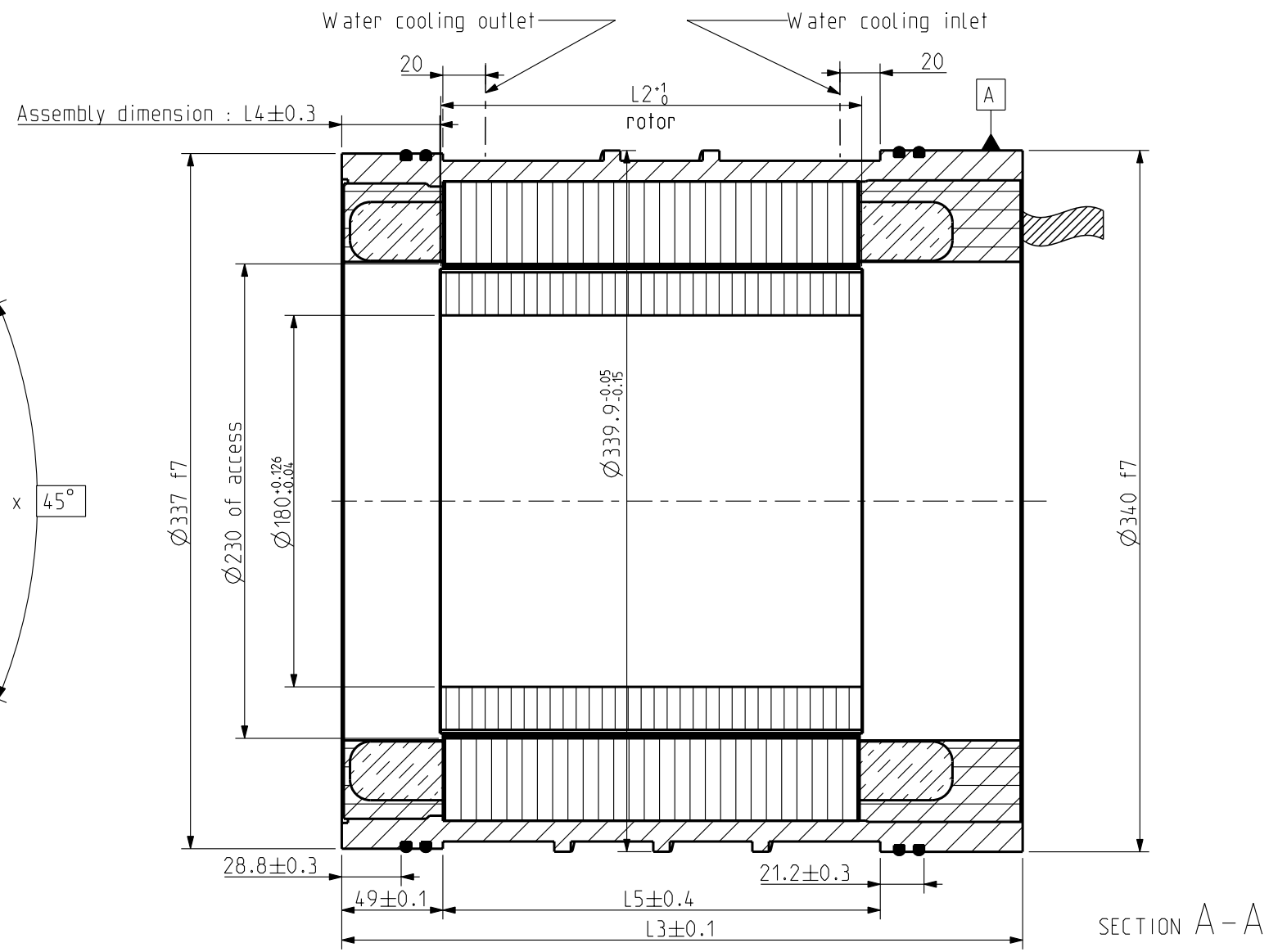
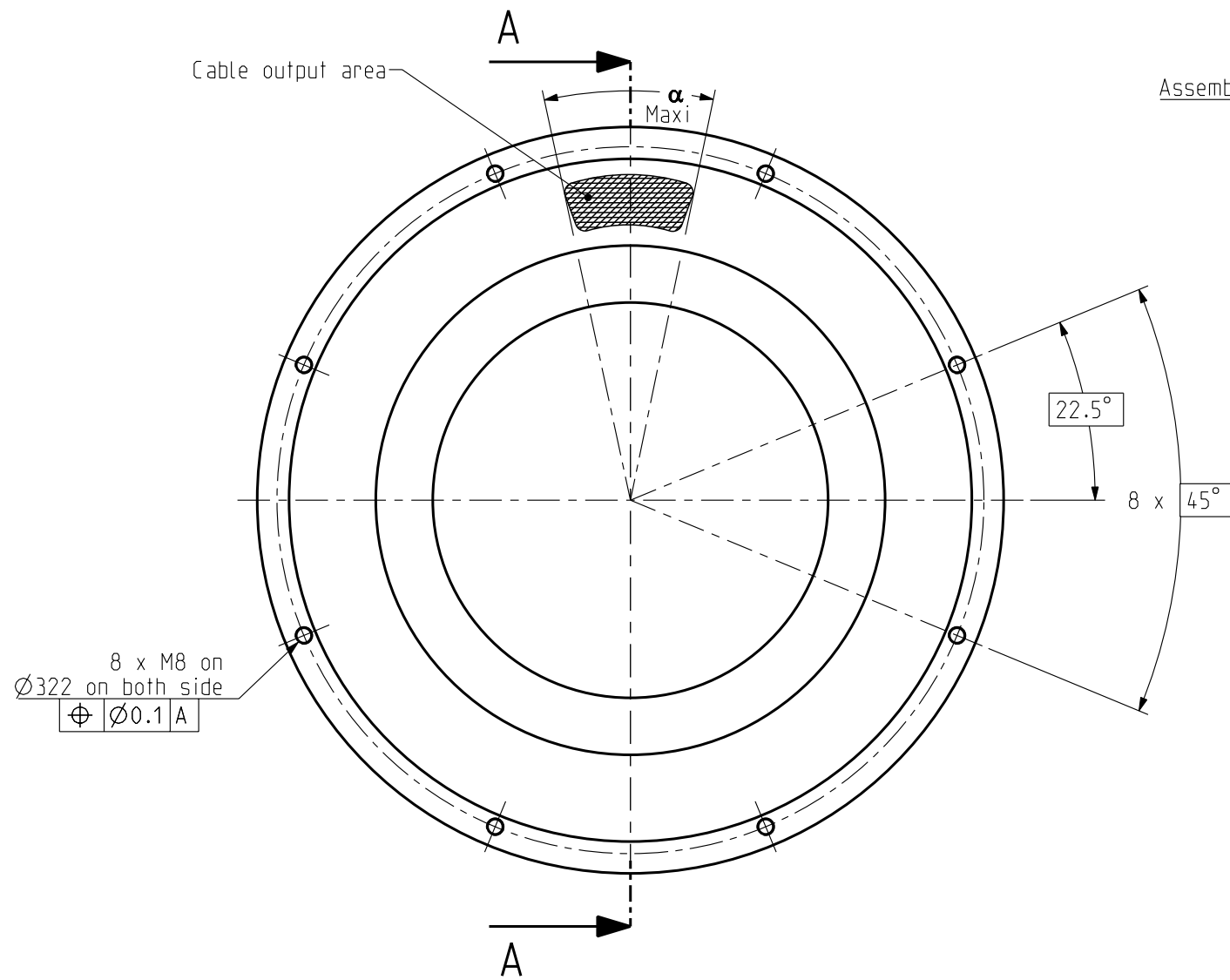
Brown White

PH1

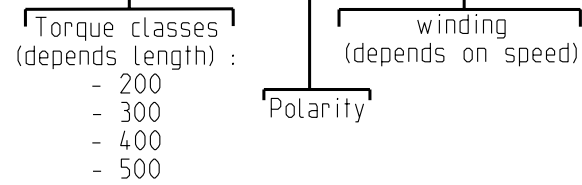
KTY 84_130
AWG26 wire

		Conductors section (mm ²)	L1	L2	L3	L4	α (degrees)	Weight
HKW 310_200	HAI	16	202	205	308	1.5	40	87 kg
	HAH	25			317		50	89 kg
	HAE	50			328		60	92 kg
	HAD	2 x 25			322		70	91 kg
	HAC	2 x 35			325			92 kg
HKW 310_300	HAI	16	302	305	408	1.5	40	115 kg
	HAH	25			417		50	117 kg
	HAE	50			428		60	120 kg
	HAD	2 x 25			422		70	119 kg
	HAC	2 x 35			425			120 kg
HKW 310_400	HAI	16	402	406	508	2	40	143 kg
	HAH	25			517		50	145 kg
	HAF	35			525			147 kg
	HAE	50			528		60	148 kg
	HAD	2 x 25			522		70	146 kg
	HAC	2 x 35			525			147 kg
	HAZ	2 x 70			540			151 kg
HAZ	2 x 70	540		151 kg				
HKW 310_500	HAZ	2 x 70	502	507	640	2.5	70	181 kg

This document is the property of PARVEX. Transmission as well as reproduction or copy is not permitted without written authorisation.	General tolerances	Drawn	27/10/09	OD	Visa		Service	FEDX	 SSD Parvex 8 Avenue du Lac. BP249 21007 DIJON CEDEX	Format	Famille : ENC	
	DIN ISO 2768 mK	Modifications	C	AM23454 - 02/09/10 OD				Scale		HKW 310	A3	
			B	AM23323 - 21/01/10 OD				1:3		OUTLINE DRAWING		344965E0000



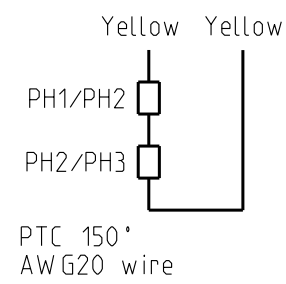
HKW 310 ___ H ___ R1000



POWER WIRES

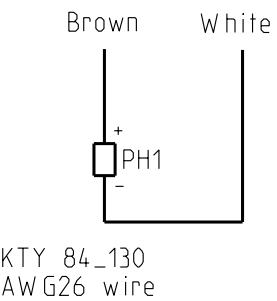
Phase U : Black
Phase V : White
Phase W : Red

Cables length 1 m



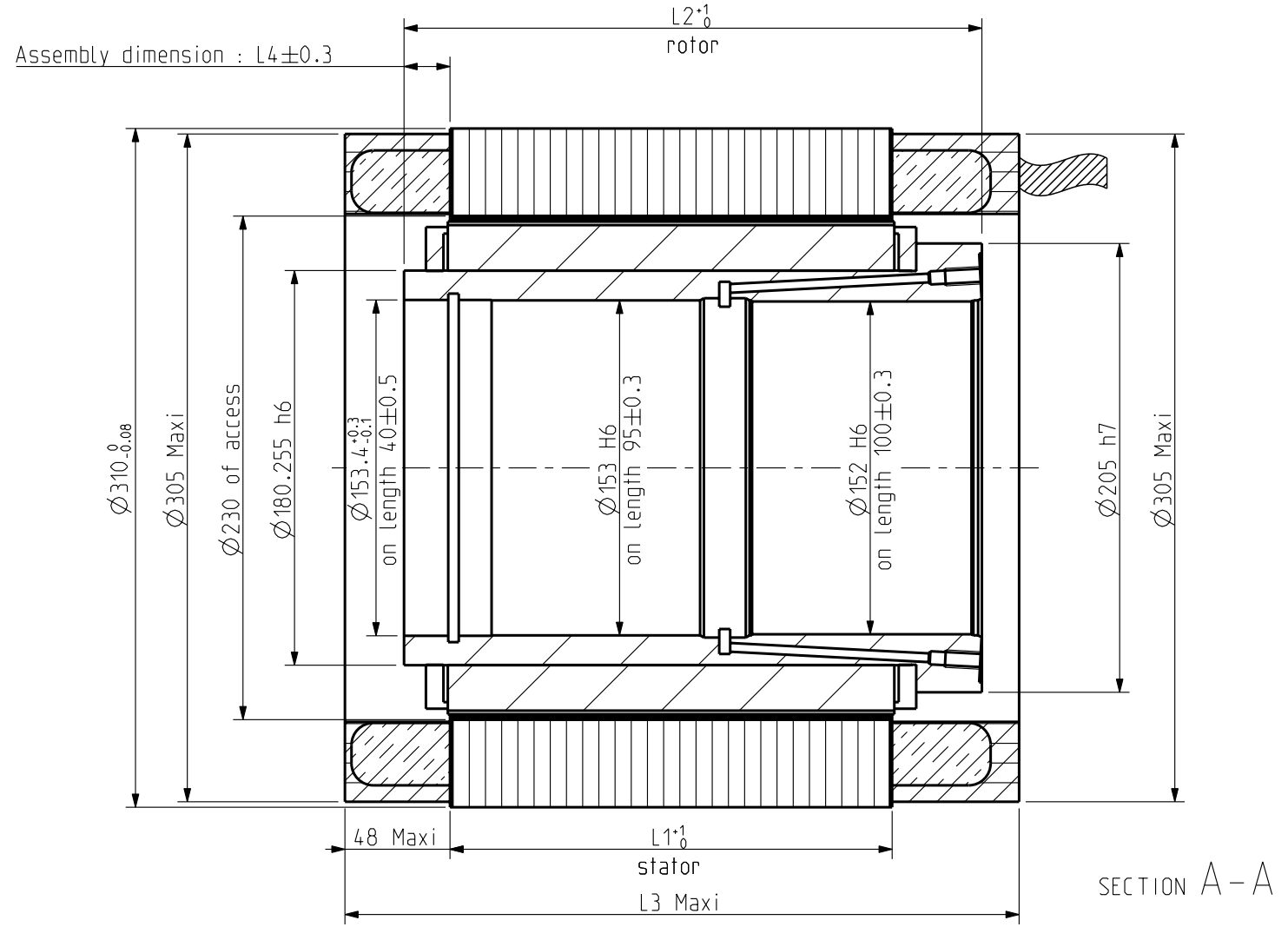
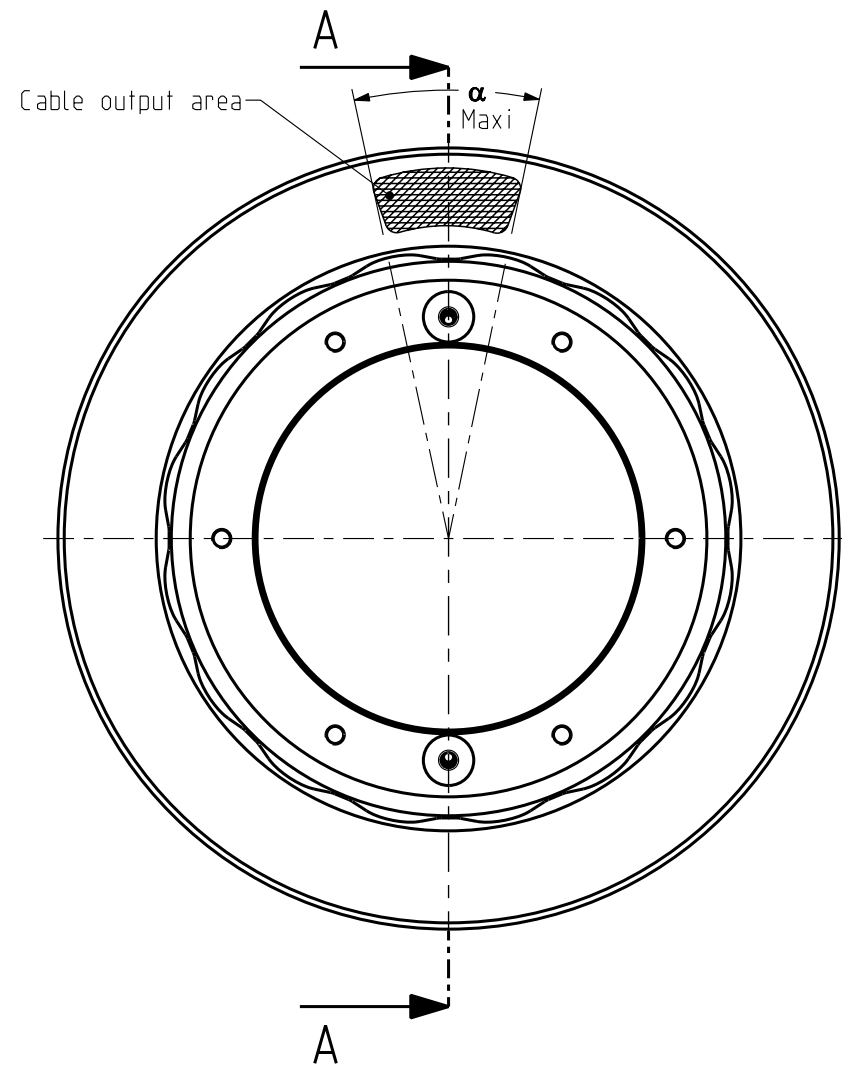
THERMAL SENSORS

Cables length 1 m

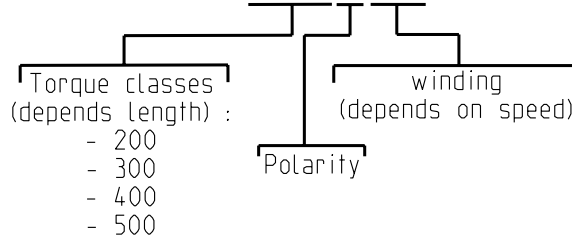


HKW 310	Conductors section (mm ²)	L1	L2	L3	L4	L5	α (degrees)	Weight
HKW 310_200	16	202	205	310	47.5	212	40	97 kg
	25			319			50	100 kg
	50			330			60	103 kg
	2 x 25			324			70	101 kg
	2 x 35			327			70	102 kg
HKW 310_300	16	302	305	410	47.5	312	40	128 kg
	25			419			50	131 kg
	50			430			60	134 kg
	2 x 25			424			70	132 kg
	2 x 35			427			70	133 kg
	16			402			406	510
25	519	50	162 kg					
35	527	60	164 kg					
50	530	70	165 kg					
2 x 25	524	70	163 kg					
2 x 35	527	70	164 kg					
HKW 310_400	2 x 70	502	506	542	47	512	70	169 kg
	2 x 70			642			70	205 kg
	2 x 70			642			70	205 kg

This document is the property of PARVEX. Transmission as well as reproduction or copy is not permitted without written authorisation.	General tolerances	Drawn	27/10/09	OD	Visa		Service	FEDX	 SSD Parvex 8 Avenue du lac. BP249 21007 DIJON CEDEX	Format	Famille : ENC	
	DIN ISO 2768 mK	Modifications	B AM23323 - 21/01/10 OD				Scale	1:3		A3	HKW 310	
		A	AM23292 - 17/11/09 OD							OUTLINE DRAWING	344965E1000	B

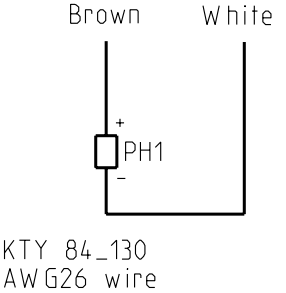
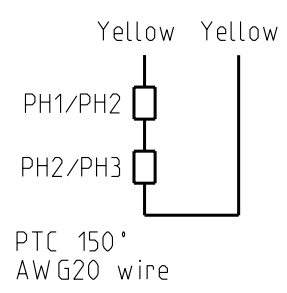


HKW 310 ___ H ___ R2000



POWER WIRES
 Phase U : Black
 Phase V : White
 Phase W : Red
 Cables length 1 m

THERMAL SENSORS
 Cables length 1 m



Conductors section (mm ²)	L1	L2	L3	L4	α (degrees)	Weight		
							HAJ	HAH
HKW 310_200	202	264	308	21	40	91 kg		
						25	317	93 kg
						50	328	96 kg
						2 x 25	322	95 kg
HKW 310_300	302	364	408	21	40	121 kg		
						25	417	123 kg
						50	428	126 kg
						2 x 25	422	125 kg
HKW 310_400	402	465	508	21.5	40	153 kg		
						25	517	155 kg
						35	525	157 kg
						50	528	158 kg
HKW 310_500	502	565	640	21.5	70	156 kg		
						2 x 25	522	157 kg
						2 x 35	525	157 kg
						2 x 70	540	161 kg
2 x 70	502	565	640	21.5	70	195 kg		

This document is the property of PARVEX. Transmission as well as reproduction or copy is not permitted without written authorisation.

General tolerances
DIN ISO 2768 mK

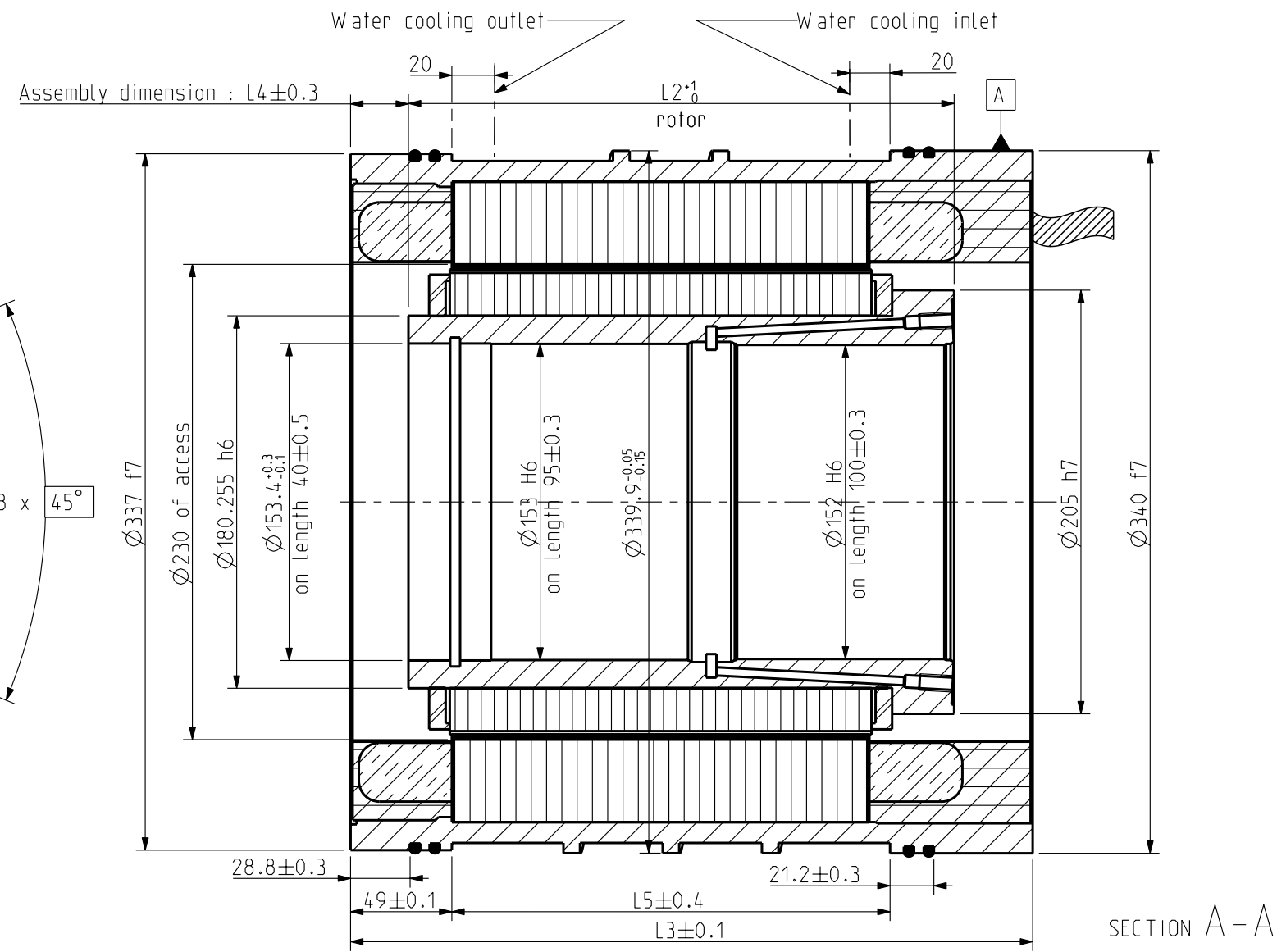
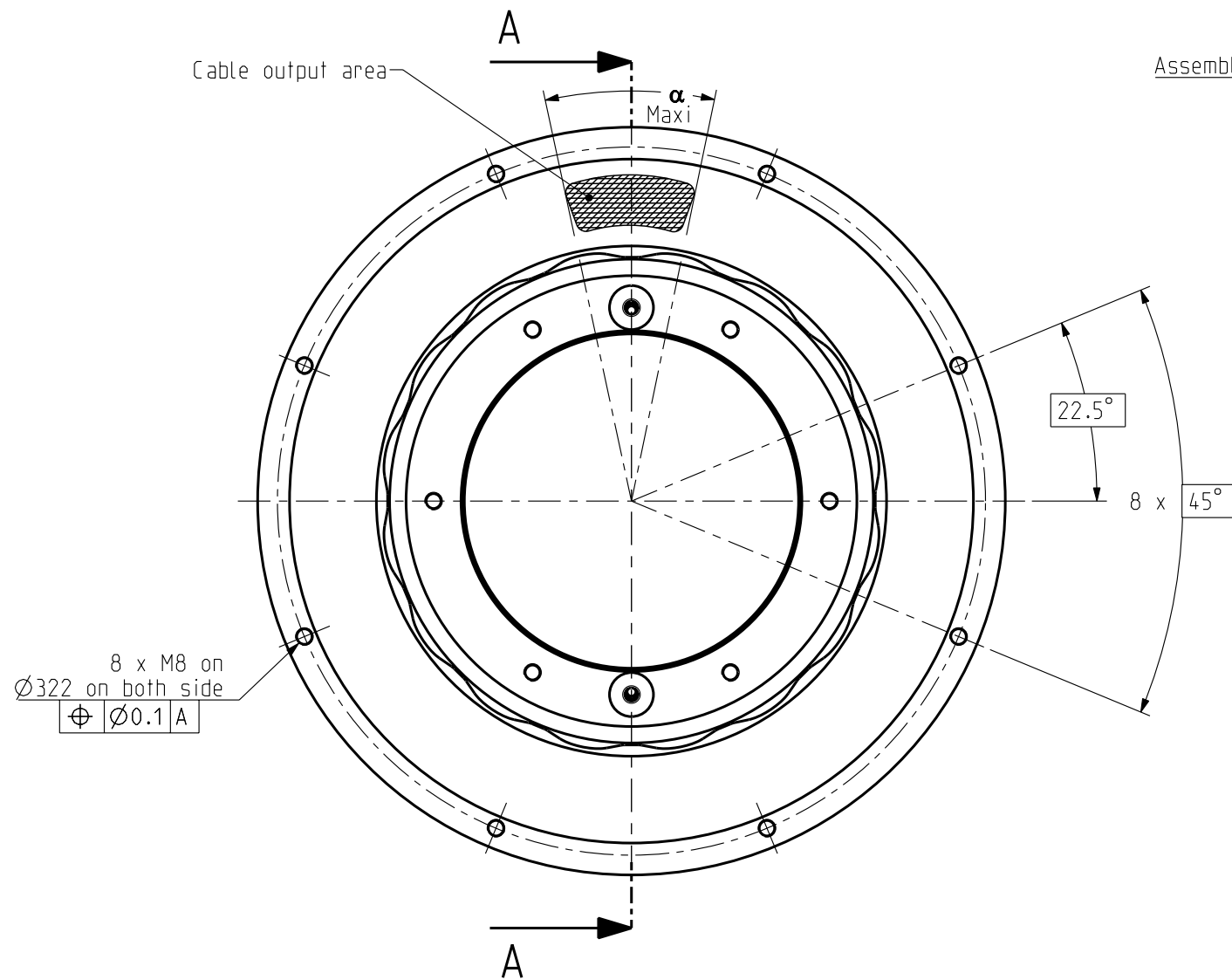
Drawn	29/06/10	OD	Visa		Service	FEDX
Modifications						

Scale
1:3

Parker
SSD Parvex
 8 Avenue du lac. BP249
 21007 DIJON CEDEX

HKW 310
 OUTLINE DRAWING

Format A3
 Famille : ENC
 344965E2000 -



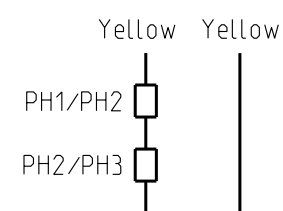
HKW 310_H_R3000

- Torque classes (depends length) :
- 200
 - 300
 - 400
 - 500
- winding (depends on speed)
- Polarity

POWER WIRES

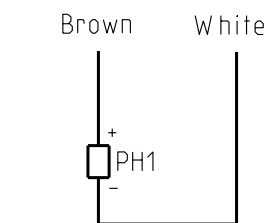
Phase U : Black
Phase V : White
Phase W : Red

Cables length 1 m



THERMAL SENSORS

Cables length 1 m



Conductors section (mm ²)	L1	L2	L3	L4	L5	α (degrees)	Weight
HKW 310_200	202	264	310	28	212	40	102 kg
						50	105 kg
						60	108 kg
						70	106 kg
						70	107 kg
HKW 310_300	302	364	410	28	312	40	136 kg
						50	139 kg
						60	142 kg
						70	140 kg
						70	141 kg
HKW 310_400	402	465	510	27.5	412	40	169 kg
						50	172 kg
						60	174 kg
						60	175 kg
						70	173 kg
						70	174 kg
						70	179 kg
HKW 310_500	502	565	642	27.5	512	70	217 kg

This document is the property of PARVEX. Transmission as well as reproduction or copy is not permitted without written authorisation.	General tolerances	Drawn	30/06/10	OD	Visa		Service	FEDX	Scale 1:3	 SSD Parvex 8 Avenue du lac. BP249 21007 DIJON CEDEX	Format	A3	Famille : ENC
	DIN ISO 2768 mK	Modifications									HKW 310 OUTLINE DRAWING	344965E3000	